

# HIGH-CAPACITY IC PNEUMATIC

 **TOYOTA**

**INDUSTRIAL EQUIPMENT**

**REACH NEW HEIGHTS**

**22000 - 72000 LBS.**

**SPECIFICATIONS**



THD 2200 - 7200

CLASS  
**5**

INTERNAL COMBUSTION ENGINE PNEUMATIC TIRE

[ToyotaForklift.com](http://ToyotaForklift.com)



## HIGH-CAPACITY IC PNEUMATIC

### CAPACITY

**22000 – 72000 LBS.**

### MAXIMUM FORK HEIGHT

**324 IN.**

### LOAD CENTER

**24 – 48 IN.**

### INDUSTRIES



Oil & Gas



Intermodal/Port



Steel/Metals



Concrete



Lumber



General Manufacturing



Mining



Agriculture

## STANDARD FEATURES

### DURABILITY

- Force-cooled wet disc brakes
- AxleTech® planetary drive axle rated for durability in high-capacity, off-road applications
- Rigidly constructed welded frame
- Engine protection system
- High-capacity cooling system
- Open-core radiator with fan shroud
- Welded nested mast rails
- Pin-type forks
- 12-Volt electrical system with two 12-Volt batteries
- 2-stage heavy-duty air cleaner
- 2-stage wide visible mast (V)

### SAFETY

- Electric horn
- Asbestos-free components
- Neutral safety switch
- Integrated overhead guard
- Operator Restraint System seat
- Orange forks
- Operator Presence Sensing System (OPSS)

### PERFORMANCE

- CUMMINS® 6.7-liter, 6-cylinder Tier 3 diesel engine
  - Common-rail electronic fuel injection system
  - Turbocharged and intercooled
- Dana model 32000 transmission
- 2-function hydraulic control valve (lift & tilt)
- Independent brake and inching pedals
- Full hydraulic power steering
- Warning light for parking brake (release)
- Upswept exhaust
- Integrated multifunction display includes:
  - Hour meter display
  - Fuel gauge
  - Low fuel warning light
  - Engine oil pressure gauge
  - Battery charge warning light
  - Water temperature gauge
  - Transmission temperature gauge
  - Transmission, air & hydraulic filter indicator
  - Parking brake indicator
  - Oil pressure indicator
  - Service indicator
  - Engine water temperature indicator
  - Tachometer
  - Speedometer

### ERGONOMICS / CABIN

- Strobe light
- Backup alarm
- LED headlights (2)
- Rear worklights (2)
- Fingertip hydraulic controls
- Key off headlights
- Rearview mirrors (right & left sides)
- Turn signal lights
- Front & rear combination lights
- Dashless cab design for improved visibility
- Fingertip hydraulic controls
- Tilt steering column
- Left-hand shift lever
- Long operator assist grips
- Insulated floor, cab walls & doors
- Adjustable air-ride seat with retractable seat belts
- Lockable doors with greaseable hinges
- Cab heater & operator fan
- Spring-apply/hydraulic-release parking brake
- Individually controlled front/rear wipers
- Tinted glass to minimize glare

### SERVICEABILITY

- Electronic engine diagnostics with fault code history
- All-wheel rotatable tires
- Easy-access filters
- Easy-lift hoods, panels & doors
- Hydraulic multi-gauge
- Externally serviceable brakes

# TRUCK SPECIFICATIONS

## MODEL NUMBERS

| MODEL   |                         |                                 | THD2200-24                     | THD2400-24                     | THD2600-24                     | THD2800-24                     | THD3000-24                     |
|---|-------------------------|---------------------------------|--------------------------------|--------------------------------|--------------------------------|--------------------------------|--------------------------------|
| Load Capacity                                       | lb (kg)                 |                                 | 22000 (9979)                   | 24000 (10890)                  | 26000 (11790)                  | 28000 (12700)                  | 30000 (13610)                  |
| Load Center   | in (mm)                 |                                 | 24 (610)                       | 24 (610)                       | 24 (610)                       | 24 (610)                       | 24 (610)                       |
| Brakes (service foot / parking)                     |                         |                                 | Wet Disc / Drum                |                                |                                |                                |                                |
| Transmission  | Type                    |                                 | PowerShift                     |                                |                                |                                |                                |
|   | Speeds (fwd / rev)      | mph                             | 3 / 3                          |                                |                                |                                |                                |
| Internal Combustion Engine                          | Make / Model            |                                 | CUMMINS 6.7L                   |                                |                                |                                |                                |
|   | Rated Horsepower @ rpm  | SAE HP (kW)                     | 160 @ 2500 (119 @ 2500)        | 160 @ 2500 (119 @ 2500)        | 160 @ 2500 (119 @ 2500)        | 160 @ 2500 (119 @ 2500)        | 160 @ 2500 (119 @ 2500)        |
|   | Rated Torque @ rpm      | SAE ft-lb (N-m)                 | 540 @ 1500 (732 @ 1500)        | 540 @ 1500 (732 @ 1500)        | 540 @ 1500 (732 @ 1500)        | 540 @ 1500 (732 @ 1500)        | 540 @ 1500 (732 @ 1500)        |
| Battery   | Voltage                 | V                               | 12                             | 12                             | 12                             | 12                             | 12                             |
| EXTERIOR DIMENSIONS                                 |                         |                                 | THD2200-24                     | THD2400-24                     | THD2600-24                     | THD2800-24                     | THD3000-24                     |
| Mast Extended Height                                | in (mm)                 |                                 | 220 (5588)                     | 220 (5588)                     | 220 (5588)                     | 220 (5588)                     | 220 (5588)                     |
| <b>A</b> Mast Lowered Height                        | in (mm)                 |                                 | 142 (3607)                     | 142 (3607)                     | 142 (3607)                     | 142 (3607)                     | 142 (3607)                     |
| <b>B</b> Maximum Fork Height (MFH) (top of forks)   | in (mm)                 |                                 | 144 (3658)                     | 144 (3658)                     | 144 (3658)                     | 144 (3658)                     | 144 (3658)                     |
| <b>C</b> Load Distance <sup>1</sup>                 | in (mm)                 |                                 | 36.5 (927)                     | 36.5 (927)                     | 36.5 (927)                     | 36.5 (927)                     | 36.5 (927)                     |
| <b>D</b> Wheelbase                                  | in (mm)                 |                                 | 115 (2921)                     | 115 (2921)                     | 115 (2921)                     | 115 (2921)                     | 115 (2921)                     |
| <b>E</b> Fork Size (T x W x L)                      | in (mm)                 |                                 | 3 (76) x 7 (178) x 48 (1219.2) | 3 (76) x 7 (178) x 48 (1219.2) | 3 (76) x 7 (178) x 48 (1219.2) | 3 (76) x 7 (178) x 48 (1219.2) | 3 (76) x 7 (178) x 48 (1219.2) |
| <b>F</b> Length to Fork Face                        | in (mm)                 |                                 | 185.9 (4722)                   | 185.9 (4722)                   | 185.9 (4722)                   | 185.9 (4722)                   | 185.9 (4722)                   |
| <b>G</b> Overhead Guard Clearance                   | in (mm)                 |                                 | 131.50 (3340)                  | 131.50 (3340)                  | 131.50 (3340)                  | 131.50 (3340)                  | 131.50 (3340)                  |
| <b>H</b> Tilt Range (forward / backward)            | deg                     |                                 | 10 / 8                         | 10 / 8                         | 10 / 8                         | 10 / 8                         | 10 / 8                         |
| <b>I</b> Outside Turning Radius                     | in (mm)                 |                                 | 166.6 (4232)                   | 166.6 (4232)                   | 166.6 (4232)                   | 166.6 (4232)                   | 166.6 (4232)                   |
| Basic Right Angle Stacking Aisle Width <sup>2</sup> | in (mm)                 |                                 | 203.2 (5161)                   | 203.2 (5161)                   | 203.2 (5161)                   | 203.2 (5161)                   | 203.2 (5161)                   |
| <b>J</b> Overall Width                              | in (mm)                 |                                 | 103 (2606)                     | 103 (2606)                     | 103 (2606)                     | 103 (2606)                     | 103 (2606)                     |
| <b>K</b> Tread Width                                | Front                   | in (mm)                         | 75 (1902)                      | 75 (1902)                      | 75 (1902)                      | 75 (1902)                      | 75 (1902)                      |
|   | Rear                    | in (mm)                         | 79 (2007)                      | 79 (2007)                      | 79 (2007)                      | 79 (2007)                      | 79 (2007)                      |
| <b>M</b> Underclearance (full load)                 | Minimum with Load       | in (mm)                         | 9.4 (240)                      | 9.4 (240)                      | 9.4 (240)                      | 9.4 (240)                      | 9.4 (240)                      |
|   | Center of Wheelbase     | in (mm)                         | 11.8 (300)                     | 11.8 (300)                     | 11.8 (300)                     | 11.8 (300)                     | 11.8 (300)                     |
| PERFORMANCE DATA                                    |                         |                                 | THD2200-24                     | THD2400-24                     | THD2600-24                     | THD2800-24                     | THD3000-24                     |
| Maximum Travel Speed                                | No Load (fwd / rev)     | mph (km/h)                      | 23 (37) / 23 (37)              | 23 (37) / 23 (37)              | 23 (37) / 23 (37)              | 23 (37) / 23 (37)              | 23 (37) / 23 (37)              |
|   | Full Load               | fpm (mm/sec)                    | 64.1 (0.33)                    | 64.1 (0.33)                    | 64.1 (0.33)                    | 64.1 (0.33)                    | 64.1 (0.33)                    |
| Lift Speed  | No Load                 | fpm (mm/sec)                    | 64.1 (0.33)                    | 64.1 (0.33)                    | 64.1 (0.33)                    | 64.1 (0.33)                    | 64.1 (0.33)                    |
|   | Full Load               | fpm (mm/sec)                    | 68.6 (0.35)                    | 68.6 (0.35)                    | 68.6 (0.35)                    | 68.6 (0.35)                    | 68.6 (0.35)                    |
| Lowering Speed                                      | No Load                 | fpm (mm/sec)                    | 48 (0.24)                      | 48 (0.24)                      | 48 (0.24)                      | 48 (0.24)                      | 48 (0.24)                      |
|   | Full Load               | lb (kg) <N>                     | 19611 (8895) <87234>           | 19592 (8887) <87149>           | 19563 (8874) <87020>           | 19540 (8863) <86918>           | 19520 (8854) <86829>           |
| Maximum Drawbar Pull                                | Full Load               | %                               | 30                             | 29                             | 27                             | 26                             | 24                             |
|   | No Load                 | %                               | 47                             | 46                             | 44                             | 42                             | 41                             |
| Maximum Gradeability                                |                         |                                 |                                |                                |                                |                                |                                |
| FUEL CAPACITY                                       |                         |                                 | THD2200-24                     | THD2400-24                     | THD2600-24                     | THD2800-24                     | THD3000-24                     |
| Fuel Tank   | US gal (L)              |                                 | 57 (216)                       | 57 (216)                       | 57 (216)                       | 57 (216)                       | 57 (216)                       |
| TRUCK WEIGHTS                                       |                         |                                 | THD2200-24                     | THD2400-24                     | THD2600-24                     | THD2800-24                     | THD3000-24                     |
| Gross Weight (empty)                                | lb (kg)                 |                                 | 40973 (18585)                  | 42260 (19169)                  | 44140 (20022)                  | 45689 (20724)                  | 46999 (21318)                  |
| Weight Distribution                                 | Front - Full Load       | lb (kg)                         | 59327 (26910)                  | 62282 (28251)                  | 64238 (29138)                  | 66676 (31151)                  | 71629 (32490)                  |
|   | Rear - Full Load        | lb (kg)                         | 3646 (1654)                    | 3978 (1804)                    | 4902 (2224)                    | 5013 (2274)                    | 5370 (2436)                    |
|   | Front - No Load         | lb (kg)                         | 25657 (11638)                  | 25552 (11590)                  | 25447 (11543)                  | 25824 (11722)                  | 25716 (11665)                  |
|   | Rear - No Load          | lb (kg)                         | 15316 (6947)                   | 16708 (7579)                   | 18693 (8479)                   | 19865 (9011)                   | 21283 (9654)                   |
| ATTACHMENT  |                         |                                 | THD2200-24                     | THD2400-24                     | THD2600-24                     | THD2800-24                     | THD3000-24                     |
| Aux. Hydraulic Function (for attachments)           | Max. Operating Pressure | psi (kg/cm <sup>2</sup> ) <MPa> | 2700 (190) <18.6>              | 2700 (190) <18.6>              | 2700 (190) <18.6>              | 2700 (190) <18.6>              | 2700 (190) <18.6>              |
|   | Max Flow Rate           | gpm                             | 70                             | 70                             | 70                             | 70                             | 70                             |
| TIRES   |                         |                                 | THD2200-24                     | THD2400-24                     | THD2600-24                     | THD2800-24                     | THD3000-24                     |
| Type (front / rear)                                 |                         |                                 | Pneumatic                      |                                |                                |                                |                                |
| Number  | Front / Rear            |                                 | 4 / 2                          |                                |                                |                                |                                |
| Size (OD x W x ID)                                  | Front                   |                                 | 12.00 x 20 x 20PR              | 12.00 x 20 x 20PR              | 12.00 x 20 x 20PR              | 12.00 x 20 x 20PR              | 12.00 x 20 x 20PR              |
|   | Rear                    |                                 | 12.00 x 20 x 20PR              | 12.00 x 20 x 20PR              | 12.00 x 20 x 20PR              | 12.00 x 20 x 20PR              | 12.00 x 20 x 20PR              |

1 Centerline of front axle to front face of forks.  
2 Add load length and aisle clearance.

# TRUCK SPECIFICATIONS

## MODEL NUMBERS

| MODEL   |                         |                                 | THD3300-24                     | THD3300S-24                    | THD3600-24                     | THD3600S-24                    | THD3600-36                     | THD3600S-36                    |
|---|-------------------------|---------------------------------|--------------------------------|--------------------------------|--------------------------------|--------------------------------|--------------------------------|--------------------------------|
| Load Capacity                                       | lb (kg)                 |                                 | 33000 (14970)                  | 33000 (14970)                  | 36000 (16330)                  | 36000 (16330)                  | 36000 (16330)                  | 36000 (16330)                  |
| Load Center   | in (mm)                 |                                 | 24 (610)                       | 24 (610)                       | 24 (610)                       | 24 (610)                       | 36 (914)                       | 36 (914)                       |
| Brakes (service foot / parking)                     |                         |                                 | Wet Disc / Drum                |                                |                                |                                |                                |                                |
| Transmission  | Type                    |                                 | PowerShift                     |                                |                                |                                |                                |                                |
|   | Speeds (fwd / rev)      | mph                             | 3 / 3                          |                                |                                |                                |                                |                                |
| Internal Combustion Engine                          | Make / Model            |                                 | CUMMINS 6.7L                   |                                |                                |                                |                                |                                |
|   | Rated Horsepower @ rpm  | SAE HP <kW>                     | 160 @ 2500 (119 @ 2500)        | 160 @ 2500 (119 @ 2500)        | 160 @ 2500 (119 @ 2500)        | 160 @ 2500 (119 @ 2500)        | 160 @ 2500 (119 @ 2500)        | 160 @ 2500 (119 @ 2500)        |
|   | Rated Torque @ rpm      | SAE ft-lb <N-m>                 | 540 @ 1500 (732 @ 1500)        | 540 @ 1500 (732 @ 1500)        | 540 @ 1500 (732 @ 1500)        | 540 @ 1500 (732 @ 1500)        | 540 @ 1500 (732 @ 1500)        | 540 @ 1500 (732 @ 1500)        |
| Battery   | Voltage                 | V                               | 12                             | 12                             | 12                             | 12                             | 12                             | 12                             |
| EXTERIOR DIMENSIONS                                 |                         |                                 | THD3300-24                     | THD3300S-24                    | THD3600-24                     | THD3600S-24                    | THD3600-36                     | THD3600S-36                    |
| Mast Extended Height                                | in (mm)                 |                                 | 220 (5588)                     | 220 (5588)                     | 220 (5588)                     | 220 (5588)                     | 220 (5588)                     | 220 (5588)                     |
| <b>A</b> Mast Lowered Height                        | in (mm)                 |                                 | 142 (3607)                     | 142 (3607)                     | 142 (3607)                     | 142 (3607)                     | 142 (3607)                     | 142 (3607)                     |
| <b>B</b> Maximum Fork Height (MFH) (top of forks)   | in (mm)                 |                                 | 144 (3658)                     | 144 (3658)                     | 144 (3658)                     | 144 (3658)                     | 144 (3658)                     | 144 (3658)                     |
| <b>C</b> Load Distance <sup>1</sup>                 | in (mm)                 |                                 | 36.5 (927)                     | 36.5 (927)                     | 36.5 (927)                     | 36.5 (927)                     | 42.5 (1080)                    | 42.5 (1080)                    |
| <b>D</b> Wheelbase                                  | in (mm)                 |                                 | 136 (3454)                     | 115 (2921)                     | 136 (3454)                     | 115 (2921)                     | 136 (3454)                     | 115 (2921)                     |
| <b>E</b> Fork Size (T x W x L)                      | in (mm)                 |                                 | 3 (76) x 8 (200) x 48 (1219.2) | 3 (76) x 8 (200) x 48 (1219.2) | 3 (76) x 8 (200) x 48 (1219.2) | 3 (76) x 8 (200) x 48 (1219.2) | 3 (76) x 8 (200) x 48 (1219.2) | 3 (76) x 8 (200) x 72 (1828.8) |
| <b>F</b> Length to Fork Face                        | in (mm)                 |                                 | 207 (5265)                     | 185.9 (4722)                   | 211 (5232)                     | 190 (4826)                     | 211 (5359)                     | 190.5 (4839)                   |
| <b>G</b> Overhead Guard Clearance                   | in (mm)                 |                                 | 131.50 (3340)                  | 131.50 (3340)                  | 131.50 (3340)                  | 131.50 (3340)                  | 131.50 (3340)                  | 131.50 (3340)                  |
| <b>H</b> Tilt Range (forward / backward)            | deg                     |                                 | 10 / 8                         | 10 / 8                         | 10 / 8                         | 10 / 8                         | 10 / 8                         | 10 / 8                         |
| <b>I</b> Outside Turning Radius                     | in (mm)                 |                                 | 190 (4826)                     | 166.6 (4232)                   | 200 (5080)                     | 169 (4293)                     | 200 (5080)                     | 169 (4293)                     |
| Basic Right Angle Stacking Aisle Width <sup>2</sup> | in (mm)                 |                                 | 227 (5766)                     | 203.2 (5161)                   | 237 (6020)                     | 206 (5232)                     | 242 (6147)                     | 206.5 (5245)                   |
| <b>J</b> Overall Width                              | in (mm)                 |                                 | 103 (2606)                     | 103 (2606)                     | 103 (2606)                     | 103 (2606)                     | 103 (2606)                     | 103 (2606)                     |
| <b>K</b> Tread Width                                | Front                   | in (mm)                         | 75 (1902)                      | 75 (1902)                      | 75 (1902)                      | 75 (1902)                      | 75 (1902)                      | 75 (1902)                      |
|   | Rear                    | in (mm)                         | 79 (2007)                      | 79 (2007)                      | 79 (2007)                      | 79 (2007)                      | 79 (2007)                      | 79 (2007)                      |
| <b>M</b> Underclearance (full load)                 | Minimum with Load       | in (mm)                         | 9.4 (240)                      | 9.4 (240)                      | 9.4 (240)                      | 9.4 (240)                      | 9.4 (240)                      | 9.4 (240)                      |
|   | Center of Wheelbase     | in (mm)                         | 11.8 (300)                     | 11.8 (300)                     | 11.8 (300)                     | 11.8 (300)                     | 11.8 (300)                     | 11.8 (300)                     |
| <b>N</b>  |                         |                                 |                                |                                |                                |                                |                                |                                |
| PERFORMANCE DATA                                    |                         |                                 | THD3300-24                     | THD3300S-24                    | THD3600-24                     | THD3600S-24                    | THD3600-36                     | THD3600S-36                    |
| Maximum Travel Speed                                | No Load (fwd / rev)     | mph (km/h)                      | 23 (37) / 23 (37)              | 23 (37) / 23 (37)              | 23 (37) / 23 (37)              | 23 (37) / 23 (37)              | 23 (37) / 23 (37)              | 23 (37) / 23 (37)              |
| Lift Speed  | Full Load               | fpm (mm/sec)                    | 64.1 (0.33)                    | 64.1 (0.33)                    | 64.1 (0.33)                    | 64.1 (0.33)                    | 53.2 (0.27)                    | 53.2 (0.27)                    |
|   | No Load                 | fpm (mm/sec)                    | 64.1 (0.33)                    | 64.1 (0.33)                    | 64.1 (0.33)                    | 64.1 (0.33)                    | 53.2 (0.27)                    | 53.2 (0.27)                    |
| Lowering Speed                                      | Full Load               | fpm (mm/sec)                    | 68.6 (0.35)                    | 68.6 (0.35)                    | 68.6 (0.35)                    | 68.6 (0.35)                    | 56.9 (0.29)                    | 56.9 (0.29)                    |
|   | No Load                 | fpm (mm/sec)                    | 48 (0.24)                      | 48 (0.24)                      | 48 (0.24)                      | 48 (0.24)                      | 39.8 (0.20)                    | 39.8 (0.20)                    |
| Maximum Drawbar Pull                                | Full Load               | lb (kg) <N>                     | 19546 (8866) <86944>           | 19491 (8841) <86700>           | 19458 (8826) <86553>           | 19341 (8773) <86033>           | 19386 (8793) <86233>           | 19341 (8773) <86033>           |
| Maximum Gradeability                                | Full Load               | %                               | 24                             | 23                             | 22                             | 21                             | 20                             | 19                             |
|   | No Load                 | %                               | 43                             | 39                             | 38                             | 38                             | 34                             | 32                             |
| FUEL CAPACITY                                       |                         |                                 | THD3300-24                     | THD3300S-24                    | THD3600-24                     | THD3600S-24                    | THD3600-36                     | THD3600S-36                    |
| Fuel Tank   | US gal                  |                                 | 86 (326)                       | 57 (216)                       | 86 (326)                       | 57 (216)                       | 57 (216)                       | 57 (216)                       |
| TRUCK WEIGHTS                                       |                         |                                 | THD3300-24                     | THD3300S-24                    | THD3600-24                     | THD3600S-24                    | THD3600-36                     | THD3600S-36                    |
| Gross weight (empty)                                | lb (kg)                 |                                 | 45297 (20546)                  | 48968 (22212)                  | 46981 (21310)                  | 51156 (23204)                  | 55986 (25395)                  | 58973 (26750)                  |
| Weight Distribution                                 | Front - Full Load       | lb (kg)                         | 73302 (33249)                  | 75583 (34284)                  | 77532 (35168)                  | 80712 (36610)                  | 85264 (38675)                  | 87260 (39580)                  |
|   | Rear - Full Load        | lb (kg)                         | 4995 (2266)                    | 6385 (2896)                    | 5449 (2472)                    | 6444 (2923)                    | 6722 (3049)                    | 7713 (3499)                    |
|   | Front - No Load         | lb (kg)                         | 25501 (11567)                  | 25078 (11375)                  | 25385 (11514)                  | 25616 (11619)                  | 28617 (12980)                  | 28408 (12886)                  |
|   | Rear - No Load          | lb (kg)                         | 19796 (8979)                   | 23890 (10836)                  | 21596 (9796)                   | 25540 (11585)                  | 27369 (12414)                  | 30565 (13864)                  |
| ATTACHMENT  |                         |                                 | THD3300-24                     | THD3300S-24                    | THD3600-24                     | THD3600S-24                    | THD3600-36                     | THD3600S-36                    |
| Aux. Hydraulic Function (for attachments)           | Max. Operating Pressure | psi (kg/cm <sup>2</sup> ) <MPa> | 2700 (190) <18.6>              | 2700 (190) <18.6>              | 2700 (190) <18.6>              | 2700 (190) <18.6>              | 2700 (190) <18.6>              | 2700 (190) <18.6>              |
|   | Max Flow Rate           | gpm                             | 70                             | 70                             | 70                             | 70                             | 70                             | 70                             |
| TIRES   |                         |                                 | THD3300-24                     | THD3300S-24                    | THD3600-24                     | THD3600S-24                    | THD3600-36                     | THD3600S-36                    |
| Type (front / rear)                                 |                         |                                 | Pneumatic                      |                                |                                |                                |                                |                                |
| Number  | Front / Rear            |                                 | 4 / 2                          |                                |                                |                                |                                |                                |
| Size (OD x W x ID)                                  | Front                   |                                 | 12.00 x 20 x 20PR              | 12.00 x 20 x 20PR              | 12.00 x 20 x 20PR              | 12.00 x 20 x 20PR              | 12.00 x 20 x 20PR              | 12.00 x 20 x 20PR              |
|   | Rear                    |                                 | 12.00 x 20 x 20PR              | 12.00 x 20 x 20PR              | 12.00 x 20 x 20PR              | 12.00 x 20 x 20PR              | 12.00 x 20 x 20PR              | 12.00 x 20 x 20PR              |

1 Centerline of front axle to front face of forks.  
2 Add load length and aisle clearance.

TRUCK SPECIFICATIONS

MODEL NUMBERS

| MODEL                           |                        |                 | THD3600-48              | THD4000-48              | THD4500-48              | THD4500S-48             | THD5000-48              | THD5200-48              |
|---------------------------------|------------------------|-----------------|-------------------------|-------------------------|-------------------------|-------------------------|-------------------------|-------------------------|
| Load Capacity                   | lb (kg)                |                 | 36000 (16330)           | 40000 (18144)           | 45000 (20412)           | 45000 (20412)           | 50000 (22680)           | 52000 (23587)           |
| Load Center                     | in (mm)                |                 | 48 (1219)               | 48 (1219)               | 48 (1219)               | 48 (1219)               | 48 (1219)               | 48 (1219)               |
| Brakes (service foot / parking) |                        |                 | Wet Disc / Drum         |                         |                         |                         |                         |                         |
| Transmission                    | Type                   |                 | PowerShift              | PowerShift              | PowerShift - Autoshift  | PowerShift - Autoshift  | PowerShift - Autoshift  | PowerShift - Autoshift  |
|                                 | Speeds (fwd / rev)     | mph             | 3 / 3                   |                         |                         |                         |                         |                         |
| Internal Combustion Engine      | Make / Model           |                 | CUMMINS 6.7L            |                         |                         |                         |                         |                         |
|                                 | Rated Horsepower @ rpm | SAE HP <kW>     | 160 @ 2500 (119 @ 2500) | 160 @ 2500 (119 @ 2500) | 240 @ 2500 <179 @ 2500> | 240 @ 2500 <179 @ 2500> | 240 @ 2500 <179 @ 2500> | 240 @ 2500 <179 @ 2500> |
|                                 | Rated Torque @ rpm     | SAE ft-lb <N-m> | 540 @ 1500 (732 @ 1500) | 540 @ 1500 (732 @ 1500) | 728 @ 1500 <987 @ 1500> | 728 @ 1500 <987 @ 1500> | 728 @ 1500 <987 @ 1500> | 728 @ 1500 <987 @ 1500> |
| Battery                         | Voltage                | V               | 12                      | 12                      | 12                      | 12                      | 12                      | 12                      |

| EXTERIOR DIMENSIONS                                 |                     |         | THD3600-48                        | THD4000-48                     | THD4500-48                        | THD4500S-48                       | THD5000-48                        | THD5200-48                        |
|---|---------------------|---------|-----------------------------------|--------------------------------|-----------------------------------|-----------------------------------|-----------------------------------|-----------------------------------|
| Mast Extended Height                                | in (mm)             |         | 220 (5588)                        | 220 (5588)                     | 234 (5944)                        | 234 (5944)                        | 234 (5944)                        | 234 (5944)                        |
| <b>A</b> Mast Lowered Height                        | in (mm)             |         | 150 (3810)                        | 150 (3810)                     | 154 (3912)                        | 154 (3912)                        | 154 (3912)                        | 154 (3912)                        |
| <b>B</b> Maximum Fork Height (MFH) (top of forks)   | in (mm)             |         | 144 (3658)                        | 144 (3658)                     | 144 (3658)                        | 144 (3658)                        | 144 (3658)                        | 144 (3658)                        |
| <b>C</b> Load Distance <sup>1</sup>                 | in (mm)             |         | 42.5 (1080)                       | 42.5 (1080)                    | 48 (1219)                         | 48 (1219)                         | 48 (1219)                         | 48 (1219)                         |
| <b>D</b> Wheelbase                                  | in (mm)             |         | 136 (3454)                        | 144 (3658)                     | 170 (4318)                        | 144 (3658)                        | 170 (4318)                        | 170 (4318)                        |
| <b>E</b> Fork Size (T x W x L)                      | in (mm)             |         | .5 (114) x 10 (254) x 96 (2438.4) | 3 (76) x 8 (200) x 96 (2438.4) | .5 (114) x 11 (279) x 96 (2438.4) | .5 (114) x 11 (279) x 96 (2438.4) | .5 (114) x 12 (305) x 96 (2438.4) | .5 (114) x 12 (305) x 96 (2438.4) |
| <b>F</b> Length to Fork Face                        | in (mm)             |         | 211 (5359)                        | 218 (5532)                     | 263 (6680)                        | 234.9 (5966)                      | 263 (6680)                        | 263 (6680)                        |
| <b>G</b> Overhead Guard Clearance                   | in (mm)             |         | 131.50 (3340)                     | TBD                            | TBD                               | TBD                               | TBD                               | TBD                               |
| <b>H</b> Tilt Range (forward / backward)            | deg                 |         | 10 / 8                            | 12 / 9                         | 12 / 9                            | 12 / 9                            | 12 / 9                            | 12 / 9                            |
| <b>I</b> Outside Turning Radius                     | in (mm)             |         | 200 (5080)                        | 207 (5257)                     | 255 (6477)                        | 226.6 (5756)                      | 255 (6477)                        | 255 (6477)                        |
| Basic Right Angle Stacking Aisle Width <sup>2</sup> | in (mm)             |         | 242 (6147)                        | 252 (6401)                     | 305 (7747)                        | 276.3 (7018)                      | 305 (7747)                        | 305 (7747)                        |
| <b>J</b> Overall Width                              | in (mm)             |         | 103 (2606)                        | 120 (3048)                     | 120 (3048)                        | 120 (3048)                        | 120 (3048)                        | 120 (3048)                        |
| <b>K</b> Tread Width                                | Front               | in (mm) | 75 (1902)                         | 86 (2184)                      | 86 (2184)                         | 86 (2184)                         | 92 (2337)                         | 92 (2337)                         |
|   | Rear                | in (mm) | 75 (1902)                         | 92 (2337)                      | 92 (2337)                         | 92 (2337)                         | 92 (2337)                         | 92 (2337)                         |
| <b>M</b> Underclearance (full load)                 | Minimum with Load   | in (mm) | 9.4 (240)                         | 5.4 (137)                      | 5.4 (137)                         | 5.4 (137)                         | 5.4 (137)                         | 5.4 (137)                         |
|   | Center of Wheelbase | in (mm) | 11.8 (300)                        | 14.3 (363)                     | 14.3 (363)                        | 14.3 (363)                        | 14.3 (363)                        | 14.3 (363)                        |

| PERFORMANCE DATA     |                     |              | THD3600-48           | THD4000-48             | THD4500-48                | THD4500S-48               | THD5000-48                | THD5200-48                |
|----------------------|---------------------|--------------|----------------------|------------------------|---------------------------|---------------------------|---------------------------|---------------------------|
| Maximum Travel Speed | No Load (fwd / rev) | mph (km/h)   | 23 (37) / 23 (37)    | 23 (37) / 23 (37)      | 24.9 (40.1) / 24.9 (40.1) | 24.9 (40.1) / 24.9 (40.1) | 24.9 (40.1) / 24.9 (40.1) | 24.9 (40.1) / 24.9 (40.1) |
| Lift Speed           | Full Load           | fpm (mm/sec) | 53.2 (0.27)          | 53.2 (0.27)            | 53.2 (0.27)               | 53.2 (0.27)               | 32.7 (0.17)               | 32.7 (0.17)               |
|                      | No Load             | fpm (mm/sec) | 53.2 (0.27)          | 53.2 (0.27)            | 53.2 (0.27)               | 53.2 (0.27)               | 32.7 (0.17)               | 32.7 (0.17)               |
| Lowering Speed       | Full Load           | fpm (mm/sec) | 56.9 (0.29)          | 56.9 (0.29)            | 56.9 (0.29)               | 56.9 (0.29)               | 35.0 (0.18)               | 35.0 (0.18)               |
|                      | No Load             | fpm (mm/sec) | 39.8 (0.20)          | 39.8 (0.20)            | 39.8 (0.20)               | 39.8 (0.20)               | 21.9 (0.11)               | 21.9 (0.11)               |
| Maximum Drawbar Pull | Full Load           | lb (kg) <N>  | 19322 (8764) <85948> | 26416 (11903) <117504> | 24062 (10914) <107033>    | 23976 (10875) <106650>    | 24012 (10892) <106810>    | 23992 (10883) <106721>    |
| Maximum Gradeability | Full Load           | %            | 19                   | 18                     | 19                        | 18                        | 17                        | 17                        |
|                      | No Load             | %            | 32                   | 31                     | 30                        | 28                        | 29                        | 29                        |

| FUEL CAPACITY |        |  | THD3600-48 | THD4000-48 | THD4500-48 | THD4500S-48 | THD5000-48 | THD5200-48 |
|---------------|--------|--|------------|------------|------------|-------------|------------|------------|
| Fuel Tank     | US gal |  | 57 (216)   | 57 (216)   | 110 (416)  | 97 (367)    | 110 (416)  | 110 (416)  |

| TRUCK WEIGHTS        |                   |         | THD3600-48    | THD4000-48    | THD4500-48     | THD4500S-48    | THD5000-48     | THD5200-48     |
|----------------------|-------------------|---------|---------------|---------------|----------------|----------------|----------------|----------------|
| Gross weight (empty) | lb (kg)           |         | 60207 (27309) | 61725 (27998) | 77928 (35348)  | 83017 (37656)  | 81272 (36864)  | 82612 (37472)  |
| Weight Distribution  | Front - Full Load | lb (kg) | 88166 (39991) | 93288 (42314) | 116416 (52805) | 120329 (54580) | 123919 (56209) | 127087 (57646) |
|                      | Rear - Full Load  | lb (kg) | 8041 (3647)   | 8437 (3827)   | 6512 (2954)    | 7688 (3487)    | 7353 (3335)    | 7525 (3413)    |
|                      | Front - No Load   | lb (kg) | 28342 (12856) | 28288 (12831) | 45369 (20579)  | 44580 (20221)  | 45095 (20455)  | 44988 (20406)  |
|                      | Rear - No Load    | lb (kg) | 31865 (14454) | 33437 (15167) | 32559 (14768)  | 38437 (17435)  | 36177 (16410)  | 37624 (17066)  |

| ATTACHMENT                                |                         |                                 | THD3600-48        | THD4000-48        | THD4500-48        | THD4500S-48       | THD5000-48        | THD5200-48        |
|---|-------------------------|---------------------------------|-------------------|-------------------|-------------------|-------------------|-------------------|-------------------|
| Aux. Hydraulic Function (for attachments) | Max. Operating Pressure | psi (kg/cm <sup>2</sup> ) <MPa> | 2700 (190) <18.6> | 2700 (190) <18.6> | 2700 (190) <18.6> | 2700 (190) <18.6> | 2700 (190) <18.6> | 2700 (190) <18.6> |
|   | Max Flow Rate           | gpm                             | 70                | 70                | 70                | 70                | 70                | 70                |

| TIRES               |              |  | THD3600-48        | THD4000-48        | THD4500-48        | THD4500S-48       | THD5000-48        | THD5200-48        |
|---------------------|--------------|--|-------------------|-------------------|-------------------|-------------------|-------------------|-------------------|
| Type (front / rear) |              |  | Pneumatic         |                   |                   |                   |                   |                   |
| Number              | Front / Rear |  | 4 / 2             |                   |                   |                   |                   |                   |
| Size (OD x W x ID)  | Front        |  | 12.00 x 20 x 20PR | 12.00 x 20 x 20PR | 14.00 x 24 x 24PR | 14.00 x 24 x 24PR | 14.00 x 24 x 24PR | 14.00 x 24 x 24PR |
|                     | Rear         |  | 12.00 x 20 x 20PR | 12.00 x 20 x 20PR | 14.00 x 24 x 24PR | 14.00 x 24 x 24PR | 14.00 x 24 x 24PR | 14.00 x 24 x 24PR |

1 Centerline of front axle to front face of forks.  
2 Add load length and aisle clearance.

# TRUCK SPECIFICATIONS

## MODEL NUMBERS

| MODEL                           |                        | THD5500-48             | THD6000-48              | THD6500-48              | THD7000-48              | THD7200-48              |                         |
|---------------------------------|------------------------|------------------------|-------------------------|-------------------------|-------------------------|-------------------------|-------------------------|
| Load Capacity                   | lb (kg)                | 55000 (24948)          | 60000 (27216)           | 65000 (29483)           | 70000 (31751)           | 72000 (32659)           |                         |
| Load Center                     | in (mm)                | 48 (1219)              | 48 (1219)               | 48 (1219)               | 48 (1219)               | 48 (1219)               |                         |
| Brakes (service foot / parking) |                        |                        | Wet Disc / Drum         |                         |                         |                         |                         |
| Transmission                    | Type                   | PowerShift - Autoshift |                         |                         |                         |                         |                         |
|                                 | Speeds (fwd / rev)     | mph 3 / 3              |                         |                         |                         |                         |                         |
| Internal Combustion Engine      | Make / Model           | CUMMINS 6.7L           |                         |                         |                         |                         |                         |
|                                 | Rated Horsepower @ rpm | SAE HP <kW>            | 240 @ 2500 <179 @ 2500> | 240 @ 2500 <179 @ 2500> | 240 @ 2500 <179 @ 2500> | 240 @ 2500 <179 @ 2500> | 240 @ 2500 <179 @ 2500> |
|                                 | Rated Torque @ rpm     | SAE ft-lb <N-m>        | 728 @ 1500 <987 @ 1500> | 728 @ 1500 <987 @ 1500> | 728 @ 1500 <987 @ 1500> | 728 @ 1500 <987 @ 1500> | 728 @ 1500 <987 @ 1500> |
| Battery                         | Voltage                | V                      | 12                      | 12                      | 12                      | 12                      |                         |

| EXTERIOR DIMENSIONS                                 |                     | THD5500-48                       | THD6000-48                       | THD6500-48                       | THD7000-48                       | THD7200-48                       |            |
|---|---------------------|----------------------------------|----------------------------------|----------------------------------|----------------------------------|----------------------------------|------------|
| Mast Extended Height                                | in (mm)             | 234 (5944)                       | 234 (5944)                       | 234 (5944)                       | 234 (5944)                       | 234 (5944)                       |            |
| <b>A</b> Mast Lowered Height                        | in (mm)             | 154 (3912)                       | 154 (3912)                       | 154 (3912)                       | 164 (4166)                       | 164 (4166)                       |            |
| <b>B</b> Maximum Fork Height (MFH) (top of forks)   | in (mm)             | 144 (3658)                       | 144 (3658)                       | 144 (3658)                       | 144 (3658)                       | 144 (3658)                       |            |
| <b>C</b> Load Distance <sup>1</sup>                 | in (mm)             | 48 (1219)                        | 48 (1219)                        | 48 (1219)                        | 50.25 (1276)                     | 50.25 (1276)                     |            |
| <b>D</b> Wheelbase                                  | in (mm)             | 170 (4318)                       | 174 (4420)                       | 174 (4420)                       | 174 (4420)                       | 174 (4420)                       |            |
| <b>E</b> Fork Size (T x W x L)                      | in (mm)             | 5 (127) x 12 (305) x 96 (2438.4) | 5 (127) x 12 (305) x 96 (2438.4) | 5 (127) x 12 (305) x 96 (2438.4) | 5 (127) x 12 (305) x 96 (2438.4) | 5 (127) x 12 (305) x 96 (2438.4) |            |
| <b>F</b> Length to Fork Face                        | in (mm)             | 263 (6680)                       | 263 (6680)                       | 263 (6680)                       | 263 (6680)                       | 263 (6680)                       |            |
| <b>G</b> Overhead Guard Clearance                   | in (mm)             | TBD                              | TBD                              | TBD                              | TBD                              | TBD                              |            |
| <b>H</b> Tilt Range (forward / backward)            | deg                 | 12 / 9                           | 12 / 9                           | 12 / 9                           | 12 / 9                           | 12 / 9                           |            |
| <b>I</b> Outside Turning Radius                     | in (mm)             | 255 (6477)                       | 265 (6731)                       | 265 (6731)                       | 265 (6731)                       | 265 (6731)                       |            |
| Basic Right Angle Stacking Aisle Width <sup>2</sup> | in (mm)             | 305 (7747)                       | 315 (8001)                       | 315 (8001)                       | 315 (8001)                       | 315 (8001)                       |            |
| <b>J</b> Overall Width                              | in (mm)             | 120 (3048)                       | 132 (3352)                       | 132 (3352)                       | 132 (3352)                       | 132 (3352)                       |            |
| <b>K</b> Tread Width                                | Front               | in (mm)                          | 86 (2184)                        | 86 (2184)                        | 86 (2184)                        | 105 (2667)                       | 105 (2667) |
|   | Rear                | in (mm)                          | 92 (2337)                        | 92 (2337)                        | 92 (2337)                        | 120 (3048)                       | 120 (3048) |
| <b>M</b> Underclearance (full load)                 | Minimum with Load   | in (mm)                          | 5.4 (137)                        | 10 (254)                         | 10 (254)                         | 15 (381)                         | 15 (381)   |
|   | Center of Wheelbase | in (mm)                          | 14.3 (363)                       | 17.5 (444)                       | 17.5 (444)                       | 17.5 (444)                       | 17.5 (444) |

| PERFORMANCE DATA     |                     | THD5500-48   | THD6000-48                | THD6500-48                | THD7000-48                | THD7200-48                |                        |
|----------------------|---------------------|--------------|---------------------------|---------------------------|---------------------------|---------------------------|------------------------|
| Maximum Travel Speed | No Load (fwd / rev) | mph (km/h)   | 24.9 (40.1) / 24.9 (40.1) | 21.1 (34.0) / 21.1 (34.0) | 21.1 (34.0) / 21.1 (34.0) | 21.1 (34.0) / 21.1 (34.0) |                        |
| Lift Speed           | Full Load           | fpm (mm/sec) | 32.7 (0.17)               | 32.7 (0.17)               | 32.7 (0.17)               | 25.0 (0.13)               |                        |
|                      | No Load             | fpm (mm/sec) | 32.7 (0.17)               | 32.7 (0.17)               | 32.7 (0.17)               | 25.0 (0.13)               |                        |
| Lowering Speed       | Full Load           | fpm (mm/sec) | 35.0 (0.18)               | 35.0 (0.18)               | 35.0 (0.18)               | 26.8 (0.14)               |                        |
|                      | No Load             | fpm (mm/sec) | 21.9 (0.11)               | 21.9 (0.11)               | 21.9 (0.11)               | 16.8 (0.09)               |                        |
| Maximum Drawbar Pull | Full Load           | lb (kg) <N>  | 23962 (10869) <106588>    | 28354 (12861) <126124>    | 28304 (12838) <125902>    | 27970 (12687) <124416>    | 27946 (12676) <124310> |
| Maximum Gradeability | Full Load           | %            | 16                        | 18                        | 17                        | 14                        |                        |
|                      | No Load             | %            | 28                        | 31                        | 30                        | 24                        |                        |

| FUEL CAPACITY |        | THD5500-48 | THD6000-48 | THD6500-48 | THD7000-48 | THD7200-48 |
|---------------|--------|------------|------------|------------|------------|------------|
| Fuel Tank     | US gal | 110 (416)  | 110 (416)  | 110 (416)  | 110 (416)  | 110 (416)  |

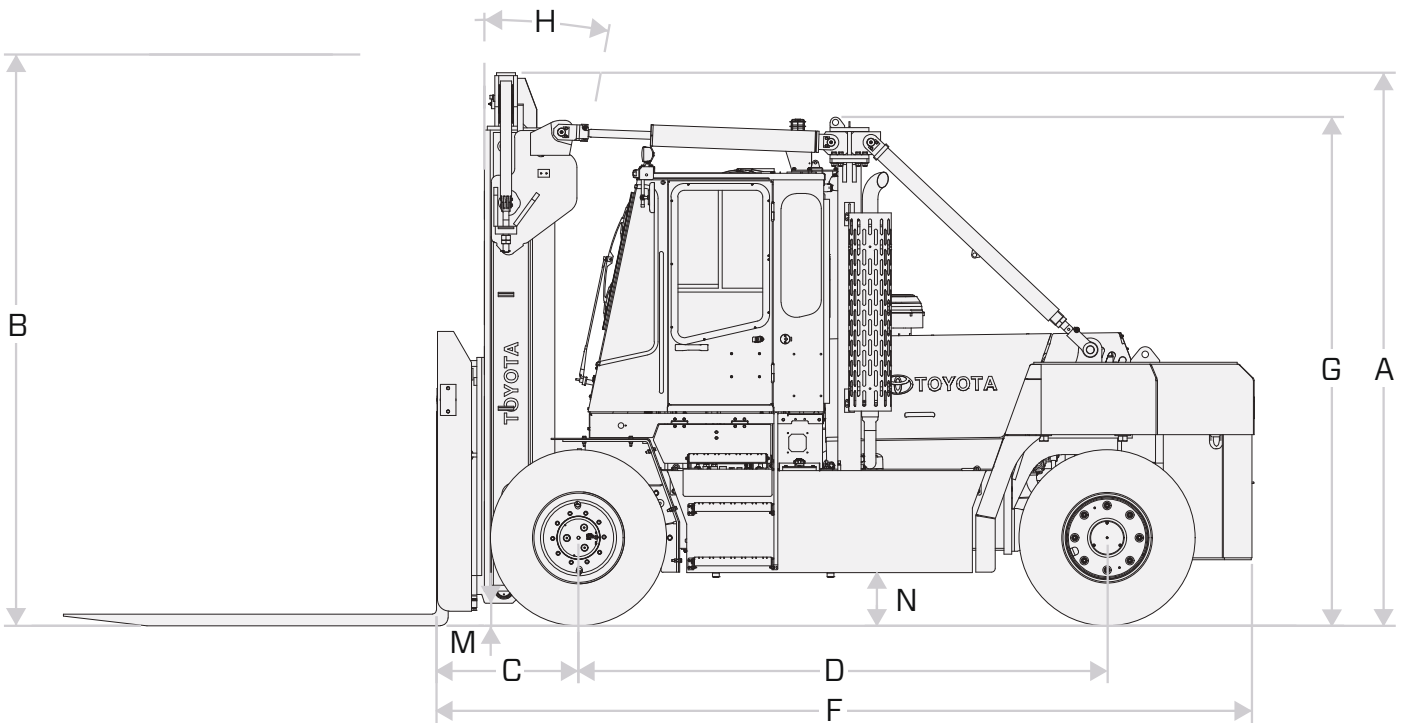
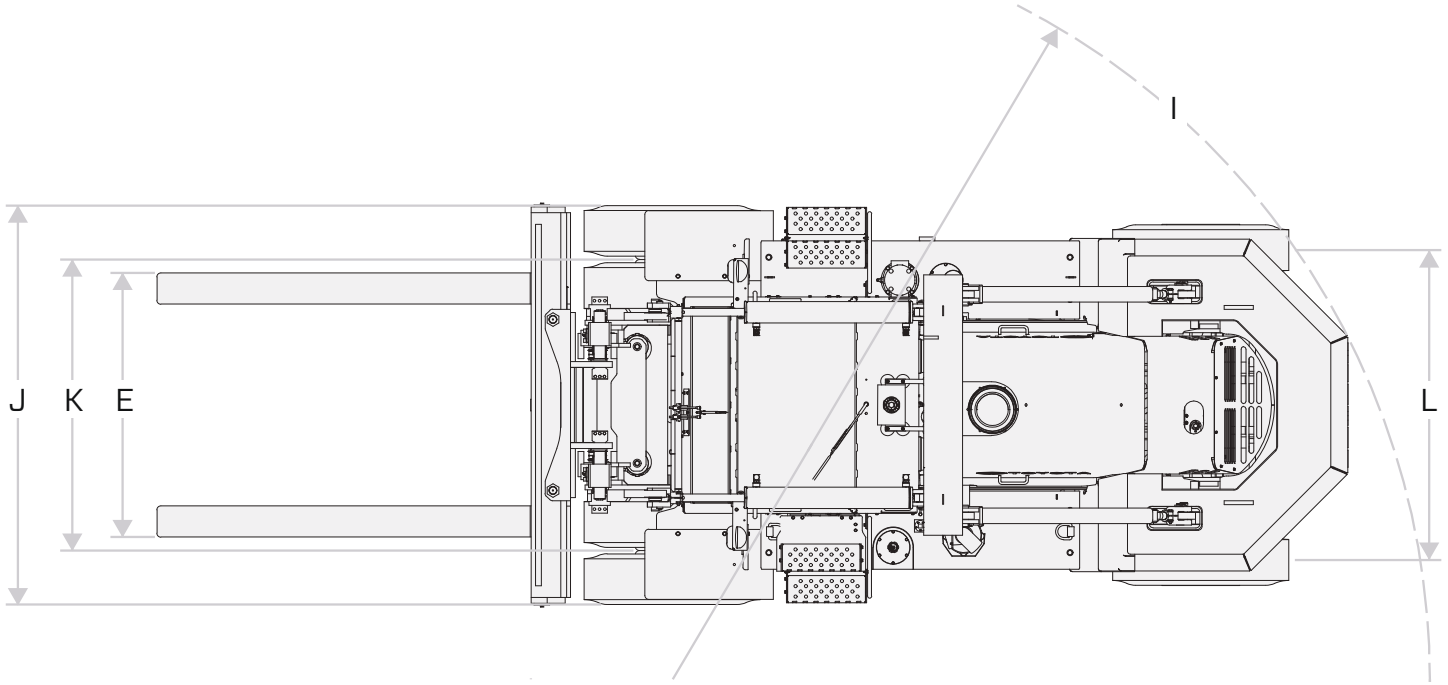
| TRUCK WEIGHTS        |                   | THD5500-48    | THD6000-48     | THD6500-48     | THD7000-48     | THD7200-48     |               |
|----------------------|-------------------|---------------|----------------|----------------|----------------|----------------|---------------|
| Gross weight (empty) | lb (kg)           | 84620 (38383) | 90000 (40823)  | 93349 (42342)  | 115580 (52426) | 117200 (53161) |               |
| Weight Distribution  | Front - Full Load | lb (kg)       | 131661 (59720) | 141320 (64102) | 148943 (67559) | 169180 (76739) | 16400 (7439)  |
|                      | Rear - Full Load  | lb (kg)       | 7959 (3610)    | 8680 (3937)    | 9406 (4266)    | 172332 (78168) | 16868 (7652)  |
|                      | Front - No Load   | lb (kg)       | 44826 (20333)  | 46590 (21133)  | 46320 (21010)  | 57180 (25936)  | 58400 (26490) |
|                      | Rear - No Load    | lb (kg)       | 39794 (18050)  | 43410 (19690)  | 47029 (21332)  | 57132 (25915)  | 60068 (27246) |

| ATTACHMENT                                |                         | THD5500-48                      | THD6000-48        | THD6500-48        | THD7000-48        | THD7200-48        |
|---|-------------------------|---------------------------------|-------------------|-------------------|-------------------|-------------------|
| Aux. Hydraulic Function (for attachments) | Max. Operating Pressure | psi (kg/cm <sup>2</sup> ) <MPa> | 2700 (190) <18.6> | 2700 (190) <18.6> | 2700 (190) <18.6> | 2700 (190) <18.6> |
|   | Max Flow Rate           | gpm                             | 70                | 70                | 70                | 70                |

| TIRES               |              | THD5500-48        | THD6000-48        | THD6500-48        | THD7000-48        | THD7200-48        |
|---------------------|--------------|-------------------|-------------------|-------------------|-------------------|-------------------|
| Type (front / rear) |              | Pneumatic         |                   |                   |                   |                   |
| Number              | Front / Rear | 4 / 2             |                   |                   |                   |                   |
| Size (OD x W x ID)  | Front        | 14.00 x 24 x 24PR | 16.00 x 25 x 28PR | 16.00 x 25 x 28PR | 16.00 x 25 x 28PR | 16.00 x 25 x 28PR |
|                     | Rear         | 14.00 x 24 x 24PR | 16.00 x 25 x 28PR | 16.00 x 25 x 28PR | 16.00 x 25 x 28PR | 16.00 x 25 x 28PR |

1 Centerline of front axle to front face of forks.  
2 Add load length and aisle clearance.

EXTERIOR DIMENSIONS



THD2200-24 MODEL SHOWN ABOVE



# MAST SPECIFICATIONS

| MAST TYPE                    | MAXIMUM FORK HEIGHT (TOP OF FORKS) | OVERALL HEIGHT LOWERED | FREE LIFT   | TILT RANGE |         | LOAD CAPACITY AT                                      |   |  |   |
|------------------------------|------------------------------------|------------------------|-------------|------------|---------|---|---|--|---|
|                              |                                    |                        |             | FWD        | BWD     | 24 IN. (600MM) LOAD CENTER 3" x 7" x 48" (STD.) FORKS | 36 IN. (900MM) LOAD CENTER 3" x 7" x 72" (OPT.) FORKS | 48 IN. (1200MM) LOAD CENTER 3" x 8" x 96" (OPT.) FORKS | 60 IN. (1520MM) LOAD CENTER 3.5" x 8" x 120" (OPT.) FORKS |
|                              |                                    |                        |             | in (mm)    | in (mm) | in (mm)   | deg   | deg  | lb (kg)   |
| <b>THD2200-24</b>            |                                    |                        |             |            |         |   |   |  |   |
| Wide Visible (V)             | 144 (3655)                         | 142 (3607)             | 0           | 10         | 8       | 22000 (9979)  | 18360 (8327)  | 15750 (7146)   | 13790 (6257)  |
|                              | 162 (4105)                         | 151 (3835)             | 0           | 10         | 8       | 22000 (9979)  | 18360 (8327)  | 15750 (7146)   | 13790 (6257)  |
|                              | 180 (4575)                         | 160 (4064)             | 0           | 10         | 8       | 22000 (9979)  | 18360 (8327)  | 15750 (7146)   | 13790 (6257)  |
|                              | 186 (4724)                         | 163 (4140)             | 0           | 10         | 8       | 22000 (9979)  | 18360 (8327)  | 15750 (7146)   | 13790 (6257)  |
|                              | 204 (5182)                         | 172 (4369)             | 0           | 10         | 8       | 22000 (9979)  | 18360 (8327)  | 15750 (7146)   | 13790 (6257)  |
|                              | 216 (5486)                         | 178 (4521)             | 0           | 10         | 8       | 22000 (9979)  | 18360 (8327)  | 15750 (7146)   | 13790 (6257)  |
|                              | 256 (6502)                         | 198 (5029)             | 0           | 10         | 8       | 22000 (9979)  | 18360 (8327)  | 15750 (7146)   | 13790 (6257)  |
| Full Free-Lift 2-Stage (FV)  | 300 (7620)                         | 220 (5588)             | 0           | 10         | 8       | 22000 (9979)  | 18360 (8327)  | 15750 (7146)   | 13790 (6257)  |
| Full Free-Lift 3-Stage (FSV) | 123 (3124)                         | 117 (2972)             | 43.5 (1105) | 10         | 8       | 22000 (9979)  | 18360 (8327)  | 15750 (7146)   | 13790 (6257)  |
| Full Free-Lift 3-Stage (FSV) | 228 (5791)                         | 143 (3632)             | 42 (1067)   | 10         | 8       | 22000 (9979)  | 18360 (8327)  | 15750 (7146)   | 13790 (6257)  |

| MAST TYPE                    | MAXIMUM FORK HEIGHT (TOP OF FORKS) | OVERALL HEIGHT LOWERED | FREE LIFT   | TILT RANGE |         | LOAD CAPACITY AT                                      |   |  |   |
|------------------------------|------------------------------------|------------------------|-------------|------------|---------|---|---|--|---|
|                              |                                    |                        |             | FWD        | BWD     | 24 IN. (600MM) LOAD CENTER 3" x 7" x 48" (STD.) FORKS | 36 IN. (900MM) LOAD CENTER 3" x 8" x 72" (OPT.) FORKS | 48 IN. (1200MM) LOAD CENTER 3.5" x 8" x 96" (OPT.) FORKS | 60 IN. (1520MM) LOAD CENTER 3.5" x 8" x 120" (OPT.) FORKS |
|                              |                                    |                        |             | in (mm)    | in (mm) | in (mm)   | deg   | deg  | lb (kg)   |
| <b>THD2400-24</b>            |                                    |                        |             |            |         |   |   |  |   |
| Wide Visible (V)             | 144 (3655)                         | 142 (3607)             | 0           | 10         | 8       | 24000 (10890)   | 20020 (9085)  | 17180 (7795)   | 15040 (6826)  |
|                              | 162 (4105)                         | 151 (3835)             | 0           | 10         | 8       | 24000 (10890)   | 20020 (9085)  | 17180 (7795)   | 15040 (6826)  |
|                              | 180 (4575)                         | 160 (4064)             | 0           | 10         | 8       | 24000 (10890)   | 20020 (9085)  | 17180 (7795)   | 15040 (6826)  |
|                              | 186 (4724)                         | 163 (4140)             | 0           | 10         | 8       | 24000 (10890)   | 20020 (9085)  | 17180 (7795)   | 15040 (6826)  |
|                              | 204 (5182)                         | 172 (4369)             | 0           | 10         | 8       | 24000 (10890)   | 20020 (9085)  | 17180 (7795)   | 15040 (6826)  |
|                              | 216 (5486)                         | 178 (4521)             | 0           | 10         | 8       | 24000 (10890)   | 20020 (9085)  | 17180 (7795)   | 15040 (6826)  |
|                              | 256 (6502)                         | 198 (5029)             | 0           | 10         | 8       | 24000 (10890)   | 20020 (9085)  | 17180 (7795)   | 15040 (6826)  |
| Full Free-Lift 2-Stage (FV)  | 300 (7620)                         | 220 (5588)             | 0           | 10         | 8       | 24000 (10890)   | 20020 (9085)  | 17180 (7795)   | 15040 (6826)  |
| Full Free-Lift 2-Stage (FV)  | 123 (3124)                         | 117 (2972)             | 43.5 (1105) | 10         | 8       | 24000 (10890)   | 20020 (9085)  | 17180 (7795)   | 15040 (6826)  |
| Full Free-Lift 3-Stage (FSV) | 228 (5791)                         | 143 (3632)             | 42 (1067)   | 10         | 8       | 24000 (10890)   | 20020 (9085)  | 17180 (7795)   | 15040 (6826)  |

| MAST TYPE                    | MAXIMUM FORK HEIGHT (TOP OF FORKS) | OVERALL HEIGHT LOWERED | FREE LIFT   | TILT RANGE |         | LOAD CAPACITY AT                                      |   |  |   |
|------------------------------|------------------------------------|------------------------|-------------|------------|---------|---|---|--|---|
|                              |                                    |                        |             | FWD        | BWD     | 24 IN. (600MM) LOAD CENTER 3" x 7" x 48" (STD.) FORKS | 36 IN. (900MM) LOAD CENTER 3" x 8" x 72" (OPT.) FORKS | 48 IN. (1200MM) LOAD CENTER 3.5" x 8" x 96" (OPT.) FORKS | 60 IN. (1520MM) LOAD CENTER 3.5" x 8" x 120" (OPT.) FORKS |
|                              |                                    |                        |             | in (mm)    | in (mm) | in (mm)   | deg   | deg  | lb (kg)   |
| <b>THD2600-24</b>            |                                    |                        |             |            |         |   |   |  |   |
| Wide Visible (V)             | 144 (3655)                         | 142 (3607)             | 0           | 10         | 8       | 26000 (11790)   | 21690 (9842)  | 18610 (8445)   | 16300 (7395)  |
|                              | 162 (4105)                         | 151 (3835)             | 0           | 10         | 8       | 26000 (11790)   | 21690 (9842)  | 18610 (8445)   | 16300 (7395)  |
|                              | 180 (4575)                         | 160 (4064)             | 0           | 10         | 8       | 26000 (11790)   | 21690 (9842)  | 18610 (8445)   | 16300 (7395)  |
|                              | 186 (4724)                         | 163 (4140)             | 0           | 10         | 8       | 26000 (11790)   | 21690 (9842)  | 18610 (8445)   | 16300 (7395)  |
|                              | 204 (5182)                         | 172 (4369)             | 0           | 10         | 8       | 26000 (11790)   | 21690 (9842)  | 18610 (8445)   | 16300 (7395)  |
|                              | 216 (5486)                         | 178 (4521)             | 0           | 10         | 8       | 26000 (11790)   | 21690 (9842)  | 18610 (8445)   | 16300 (7395)  |
|                              | 256 (6502)                         | 198 (5029)             | 0           | 10         | 8       | 26000 (11790)   | 21690 (9842)  | 18610 (8445)   | 16300 (7395)  |
| Full Free-Lift 2-Stage (FV)  | 300 (7620)                         | 220 (5588)             | 0           | 10         | 8       | 26000 (11790)   | 21690 (9842)  | 18610 (8445)   | 16300 (7395)  |
| Full Free-Lift 2-Stage (FV)  | 123 (3124)                         | 117 (2972)             | 43.5 (1105) | 10         | 8       | 26000 (11790)   | 21690 (9842)  | 18610 (8445)   | 16300 (7395)  |
| Full Free-Lift 3-Stage (FSV) | 228 (5791)                         | 143 (3632)             | 42 (1067)   | 10         | 8       | 26000 (11790)   | 21690 (9842)  | 18610 (8445)   | 16300 (7395)  |

MAST SPECIFICATIONS

| MAST TYPE                    | MAXIMUM FORK HEIGHT (TOP OF FORKS) | OVERALL HEIGHT LOWERED | FREE LIFT   | TILT RANGE |         | LOAD CAPACITY AT                                      |   |  |   |
|------------------------------|------------------------------------|------------------------|-------------|------------|---------|---|---|--|---|
|                              |                                    |                        |             | FWD        | BWD     | 24 IN. (600MM) LOAD CENTER 3" x 7" x 48" (STD.) FORKS | 36 IN. (900MM) LOAD CENTER 3.5" x 8" x 72" (OPT.) FORKS | 48 IN. (1200MM) LOAD CENTER 3.5" x 8" x 96" (OPT.) FORKS | 60 IN. (1520MM) LOAD CENTER 3.5" x 8" x 120" (OPT.) FORKS |
|                              |                                    |                        |             | in (mm)    | in (mm) | in (mm)   | deg   | deg  | lb (kg)   |
| <b>THD2800-24</b>            |                                    |                        |             |            |         |   |   |  |   |
| Wide Visible (V)             | 144 (3655)                         | 142 (3607)             | 0           | 10         | 8       | 28000 (12700)   | 23360 (10599)   | 20050 (9095)   | 17550 (7964)  |
|                              | 162 (4105)                         | 151 (3835)             | 0           | 10         | 8       | 28000 (12700)   | 23360 (10599)   | 20050 (9095)   | 17550 (7964)  |
|                              | 180 (4575)                         | 160 (4064)             | 0           | 10         | 8       | 28000 (12700)   | 23360 (10599)   | 20050 (9095)   | 17550 (7964)  |
|                              | 186 (4724)                         | 163 (4140)             | 0           | 10         | 8       | 28000 (12700)   | 23360 (10599)   | 20050 (9095)   | 17550 (7964)  |
|                              | 204 (5182)                         | 172 (4369)             | 0           | 10         | 8       | 28000 (12700)   | 23360 (10599)   | 20050 (9095)   | 17550 (7964)  |
|                              | 216 (5486)                         | 178 (4521)             | 0           | 10         | 8       | 28000 (12700)   | 23360 (10599)   | 20050 (9095)   | 17550 (7964)  |
|                              | 256 (6502)                         | 198 (5029)             | 0           | 10         | 8       | 28000 (12700)   | 23360 (10599)   | 20050 (9095)   | 17550 (7964)  |
| Full Free-Lift 2-Stage (FV)  | 300 (7620)                         | 220 (5588)             | 0           | 10         | 8       | 28000 (12700)   | 23360 (10599)   | 20050 (9095)   | 17550 (7964)  |
| Full Free-Lift 3-Stage (FSV) | 123 (3124)                         | 117 (2972)             | 43.5 (1105) | 10         | 8       | 28000 (12700)   | 23360 (10599)   | 20050 (9095)   | 17550 (7964)  |
| Full Free-Lift 3-Stage (FSV) | 228 (5791)                         | 143 (3632)             | 42 (1067)   | 10         | 8       | 28000 (12700)   | 23360 (10599)   | 20050 (9095)   | 17550 (7964)  |

| MAST TYPE                    | MAXIMUM FORK HEIGHT (TOP OF FORKS) | OVERALL HEIGHT LOWERED | FREE LIFT   | TILT RANGE |         | LOAD CAPACITY AT                                      |   |  |   |
|------------------------------|------------------------------------|------------------------|-------------|------------|---------|---|---|--|---|
|                              |                                    |                        |             | FWD        | BWD     | 24 IN. (600MM) LOAD CENTER 3" x 7" x 48" (STD.) FORKS | 36 IN. (900MM) LOAD CENTER 3.5" x 8" x 72" (OPT.) FORKS | 48 IN. (1200MM) LOAD CENTER 3.5" x 8" x 96" (OPT.) FORKS | 60 IN. (1520MM) LOAD CENTER 4" x 8" x 120" (OPT.) FORKS |
|                              |                                    |                        |             | in (mm)    | in (mm) | in (mm)   | deg   | deg  | lb (kg)   |
| <b>THD3000-24</b>            |                                    |                        |             |            |         |   |   |  |   |
| Wide Visible (V)             | 144 (3655)                         | 142 (3607)             | 0           | 10         | 8       | 30000 (13610)   | 25030 (11357)   | 21480 (9744)   | 18810 (8533)  |
|                              | 162 (4105)                         | 151 (3835)             | 0           | 10         | 8       | 30000 (13610)   | 25030 (11357)   | 21480 (9744)   | 18810 (8533)  |
|                              | 180 (4575)                         | 160 (4064)             | 0           | 10         | 8       | 30000 (13610)   | 25030 (11357)   | 21480 (9744)   | 18810 (8533)  |
|                              | 186 (4724)                         | 163 (4140)             | 0           | 10         | 8       | 30000 (13610)   | 25030 (11357)   | 21480 (9744)   | 18810 (8533)  |
|                              | 204 (5182)                         | 172 (4369)             | 0           | 10         | 8       | 30000 (13610)   | 25030 (11357)   | 21480 (9744)   | 18810 (8533)  |
|                              | 216 (5486)                         | 178 (4521)             | 0           | 10         | 8       | 30000 (13610)   | 25030 (11357)   | 21480 (9744)   | 18810 (8533)  |
|                              | 256 (6502)                         | 198 (5029)             | 0           | 10         | 8       | 30000 (13610)   | 25030 (11357)   | 21480 (9744)   | 18810 (8533)  |
| Full Free-Lift 2-Stage (FV)  | 300 (7620)                         | 220 (5588)             | 0           | 10         | 8       | 30000 (13610)   | 25030 (11357)   | 21480 (9744)   | 18810 (8533)  |
| Full Free-Lift 2-Stage (FV)  | 123 (3124)                         | 117 (2972)             | 43.5 (1105) | 10         | 8       | 30000 (13610)   | 25030 (11357)   | 21480 (9744)   | 18810 (8533)  |
| Full Free-Lift 3-Stage (FSV) | 228 (5791)                         | 143 (3632)             | 42 (1067)   | 10         | 8       | 30000 (13610)   | 25030 (11357)   | 21480 (9744)   | 18810 (8533)  |

| MAST TYPE                    | MAXIMUM FORK HEIGHT (TOP OF FORKS) | OVERALL HEIGHT LOWERED | FREE LIFT   | TILT RANGE |         | LOAD CAPACITY AT                                      |   |  |   |
|------------------------------|------------------------------------|------------------------|-------------|------------|---------|---|---|--|---|
|                              |                                    |                        |             | FWD        | BWD     | 24 IN. (600MM) LOAD CENTER 3" x 8" x 48" (STD.) FORKS | 36 IN. (900MM) LOAD CENTER 3.5" x 8" x 72" (OPT.) FORKS | 48 IN. (1200MM) LOAD CENTER 4" x 8" x 96" (OPT.) FORKS | 60 IN. (1520MM) LOAD CENTER 4" x 8" x 120" (OPT.) FORKS |
|                              |                                    |                        |             | in (mm)    | in (mm) | in (mm)   | deg   | deg  | lb (kg)   |
| <b>THD3300-24</b>            |                                    |                        |             |            |         |   |   |  |   |
| Wide Visible (V)             | 144 (3655)                         | 142 (3607)             | 0           | 10         | 8       | 33000 (14970)   | 27540 (12492)   | 23630 (10719)  | 20690 (9386)  |
|                              | 162 (4105)                         | 151 (3835)             | 0           | 10         | 8       | 33000 (14970)   | 27540 (12492)   | 23630 (10719)  | 20690 (9386)  |
|                              | 180 (4575)                         | 160 (4064)             | 0           | 10         | 8       | 33000 (14970)   | 27540 (12492)   | 23630 (10719)  | 20690 (9386)  |
|                              | 186 (4724)                         | 163 (4140)             | 0           | 10         | 8       | 33000 (14970)   | 27540 (12492)   | 23630 (10719)  | 20690 (9386)  |
|                              | 204 (5182)                         | 172 (4369)             | 0           | 10         | 8       | 33000 (14970)   | 27540 (12492)   | 23630 (10719)  | 20690 (9386)  |
|                              | 216 (5486)                         | 178 (4521)             | 0           | 10         | 8       | 33000 (14970)   | 27540 (12492)   | 23630 (10719)  | 20690 (9386)  |
|                              | 256 (6502)                         | 198 (5029)             | 0           | 10         | 8       | 33000 (14970)   | 27540 (12492)   | 23630 (10719)  | 20690 (9386)  |
| Full Free-Lift 2-Stage (FV)  | 300 (7620)                         | 220 (5588)             | 0           | 10         | 8       | 33000 (14970)   | 27540 (12492)   | 23630 (10719)  | 20690 (9386)  |
| Full Free-Lift 2-Stage (FV)  | 123 (3124)                         | 117 (2972)             | 43.5 (1105) | 10         | 8       | 33000 (14970)   | 27540 (12492)   | 23630 (10719)  | 20690 (9386)  |
| Full Free-Lift 3-Stage (FSV) | 228 (5791)                         | 143 (3632)             | 42 (1067)   | 10         | 8       | 33000 (14970)   | 27540 (12492)   | 23630 (10719)  | 20690 (9386)  |

# MAST SPECIFICATIONS

| MAST TYPE                    | MAXIMUM FORK HEIGHT (TOP OF FORKS) | OVERALL HEIGHT LOWERED | FREE LIFT   | TILT RANGE |         | LOAD CAPACITY AT                                      |   |  |   |
|------------------------------|------------------------------------|------------------------|-------------|------------|---------|---|---|--|---|
|                              |                                    |                        |             | FWD        | BWD     | 24 IN. (600MM) LOAD CENTER 3" x 8" x 48" (STD.) FORKS | 36 IN. (900MM) LOAD CENTER 3.5" x 8" x 72" (OPT.) FORKS | 48 IN. (1200MM) LOAD CENTER 4" x 8" x 96" (OPT.) FORKS | 60 IN. (1520MM) LOAD CENTER 4" x 8" x 120" (OPT.) FORKS |
|                              |                                    |                        |             | in (mm)    | in (mm) | in (mm)   | deg   | deg  | lb (kg)   |
| <b>THD3300S-24</b>           |                                    |                        |             |            |         |   |   |  |   |
| Wide Visible (V)             | 144 (3655)                         | 142 (3607)             | 0           | 10         | 8       | 33000 (14970)   | 27540 (12492)   | 23630 (10719)  | 20690 (9386)  |
|                              | 162 (4105)                         | 151 (3835)             | 0           | 10         | 8       | 33000 (14970)   | 27540 (12492)   | 23630 (10719)  | 20690 (9386)  |
|                              | 180 (4575)                         | 160 (4064)             | 0           | 10         | 8       | 33000 (14970)   | 27540 (12492)   | 23630 (10719)  | 20690 (9386)  |
|                              | 186 (4724)                         | 163 (4140)             | 0           | 10         | 8       | 33000 (14970)   | 27540 (12492)   | 23630 (10719)  | 20690 (9386)  |
|                              | 204 (5182)                         | 172 (4369)             | 0           | 10         | 8       | 33000 (14970)   | 27540 (12492)   | 23630 (10719)  | 20690 (9386)  |
|                              | 216 (5486)                         | 178 (4521)             | 0           | 10         | 8       | 33000 (14970)   | 27540 (12492)   | 23630 (10719)  | 20690 (9386)  |
|                              | 256 (6502)                         | 198 (5029)             | 0           | 10         | 8       | 33000 (14970)   | 27540 (12492)   | 23630 (10719)  | 20690 (9386)  |
| Full Free-Lift 2-Stage (FV)  | 300 (7620)                         | 220 (5588)             | 0           | 10         | 8       | 33000 (14970)   | 27540 (12492)   | 23630 (10719)  | 20690 (9386)  |
| Full Free-Lift 3-Stage (FSV) | 123 (3124)                         | 117 (2972)             | 43.5 (1105) | 10         | 8       | 33000 (14970)   | 27540 (12492)   | 23630 (10719)  | 20690 (9386)  |
| Full Free-Lift 3-Stage (FSV) | 228 (5791)                         | 143 (3632)             | 42 (1067)   | 10         | 8       | 33000 (14970)   | 27540 (12492)   | 23630 (10719)  | 20690 (9386)  |

| MAST TYPE                    | MAXIMUM FORK HEIGHT (TOP OF FORKS) | OVERALL HEIGHT LOWERED | FREE LIFT   | TILT RANGE |         | LOAD CAPACITY AT  |   |  |   |
|------------------------------|------------------------------------|------------------------|-------------|------------|---------|---|---|--|---|
|                              |                                    |                        |             | FWD        | BWD     | 24 IN. (600MM) LOAD CENTER 3.5" x 8" x 48" (STD.) FORKS | 36 IN. (900MM) LOAD CENTER 3.5" x 8" x 72" (OPT.) FORKS | 48 IN. (1200MM) LOAD CENTER 4" x 8" x 96" (OPT.) FORKS | 60 IN. (1520MM) LOAD CENTER 4" x 8" x 120" (OPT.) FORKS |
|                              |                                    |                        |             | in (mm)    | in (mm) | in (mm)   | deg   | deg  | lb (kg)   |
| <b>THD3600-24</b>            |                                    |                        |             |            |         |   |   |  |   |
| Wide Visible (V)             | 144 (3655)                         | 142 (3607)             | 0           | 10         | 8       | 36000 (16330)   | 30040 (13625)   | 25780 (11694)  | 22570 (10241)   |
|                              | 162 (4105)                         | 151 (3835)             | 0           | 10         | 8       | 36000 (16330)   | 30040 (13625)   | 25780 (11694)  | 22570 (10241)   |
|                              | 180 (4575)                         | 160 (4064)             | 0           | 10         | 8       | 36000 (16330)   | 30040 (13625)   | 25780 (11694)  | 22570 (10241)   |
|                              | 186 (4724)                         | 163 (4140)             | 0           | 10         | 8       | 36000 (16330)   | 30040 (13625)   | 25780 (11694)  | 22570 (10241)   |
|                              | 204 (5182)                         | 172 (4369)             | 0           | 10         | 8       | 36000 (16330)   | 30040 (13625)   | 25780 (11694)  | 22570 (10241)   |
|                              | 216 (5486)                         | 178 (4521)             | 0           | 10         | 8       | 36000 (16330)   | 30040 (13625)   | 25780 (11694)  | 22570 (10241)   |
|                              | 256 (6502)                         | 198 (5029)             | 0           | 10         | 8       | 36000 (16330)   | 30040 (13625)   | 25780 (11694)  | 22570 (10241)   |
| Full Free-Lift 2-Stage (FV)  | 300 (7620)                         | 220 (5588)             | 0           | 10         | 8       | 36000 (16330)   | 30040 (13625)   | 25780 (11694)  | 22570 (10241)   |
| Full Free-Lift 2-Stage (FV)  | 123 (3124)                         | 117 (2972)             | 43.5 (1105) | 10         | 8       | 36000 (16330)   | 30040 (13625)   | 25780 (11694)  | 22570 (10241)   |
| Full Free-Lift 3-Stage (FSV) | 228 (5791)                         | 143 (3632)             | 42 (1067)   | 10         | 8       | 36000 (16330)   | 30040 (13625)   | 25780 (11694)  | 22570 (10241)   |

| MAST TYPE                    | MAXIMUM FORK HEIGHT (TOP OF FORKS) | OVERALL HEIGHT LOWERED | FREE LIFT   | TILT RANGE |         | LOAD CAPACITY AT  |   |  |   |
|------------------------------|------------------------------------|------------------------|-------------|------------|---------|---|---|--|---|
|                              |                                    |                        |             | FWD        | BWD     | 24 IN. (600MM) LOAD CENTER 3.5" x 8" x 48" (STD.) FORKS | 36 IN. (900MM) LOAD CENTER 3.5" x 8" x 72" (OPT.) FORKS | 48 IN. (1200MM) LOAD CENTER 4" x 8" x 96" (OPT.) FORKS | 60 IN. (1520MM) LOAD CENTER 4" x 8" x 120" (OPT.) FORKS |
|                              |                                    |                        |             | in (mm)    | in (mm) | in (mm)   | deg   | deg  | lb (kg)   |
| <b>THD3600S-24</b>           |                                    |                        |             |            |         |   |   |  |   |
| Wide Visible (V)             | 144 (3655)                         | 142 (3607)             | 0           | 10         | 8       | 36000 (16330)   | 30040 (13625)   | 25780 (11694)  | 22570 (10241)   |
|                              | 162 (4105)                         | 151 (3835)             | 0           | 10         | 8       | 36000 (16330)   | 30040 (13625)   | 25780 (11694)  | 22570 (10241)   |
|                              | 180 (4575)                         | 160 (4064)             | 0           | 10         | 8       | 36000 (16330)   | 30040 (13625)   | 25780 (11694)  | 22570 (10241)   |
|                              | 186 (4724)                         | 163 (4140)             | 0           | 10         | 8       | 36000 (16330)   | 30040 (13625)   | 25780 (11694)  | 22570 (10241)   |
|                              | 204 (5182)                         | 172 (4369)             | 0           | 10         | 8       | 36000 (16330)   | 30040 (13625)   | 25780 (11694)  | 22570 (10241)   |
|                              | 216 (5486)                         | 178 (4521)             | 0           | 10         | 8       | 36000 (16330)   | 30040 (13625)   | 25780 (11694)  | 22570 (10241)   |
|                              | 256 (6502)                         | 198 (5029)             | 0           | 10         | 8       | 36000 (16330)   | 30040 (13625)   | 25780 (11694)  | 22570 (10241)   |
| Full Free-Lift 2-Stage (FV)  | 300 (7620)                         | 220 (5588)             | 0           | 10         | 8       | 36000 (16330)   | 30040 (13625)   | 25780 (11694)  | 22570 (10241)   |
| Full Free-Lift 2-Stage (FV)  | 123 (3124)                         | 117 (2972)             | 43.5 (1105) | 10         | 8       | 36000 (16330)   | 30040 (13625)   | 25780 (11694)  | 22570 (10241)   |
| Full Free-Lift 3-Stage (FSV) | 228 (5791)                         | 143 (3632)             | 42 (1067)   | 10         | 8       | 36000 (16330)   | 30040 (13625)   | 25780 (11694)  | 22570 (10241)   |

## MAST SPECIFICATIONS

| MAST TYPE                    | MAXIMUM FORK HEIGHT (TOP OF FORKS) | OVERALL HEIGHT LOWERED | FREE LIFT   | TILT RANGE |         | LOAD CAPACITY AT   |  |   |
|------------------------------|------------------------------------|------------------------|-------------|------------|---------|--|--|---|
|                              |                                    |                        |             | FWD        | BWD     | 36 IN. (900MM) LOAD CENTER<br>4" x 8" x 72" (STD.) FORKS | 48 IN. (1200MM) LOAD CENTER<br>4" x 10" x 96" (OPT.) FORKS | 60 IN. (1520MM) LOAD CENTER<br>4" x 10" x 120" (OPT.) FORKS |
|                              |                                    |                        |             | in (mm)    | in (mm) | in (mm)  | deg  | deg   |
| <b>THD3600-36</b>            |                                    |                        |             |            |         |  |  |   |
| Wide Visible (V)             | 144 (3655)                         | 142 (3607)             | 0           | 10         | 8       | 36000 (16330)  | 31170 (14141)  | 27490 (12471)   |
|                              | 162 (4105)                         | 151 (3835)             | 0           | 10         | 8       | 36000 (16330)  | 31170 (14141)  | 27490 (12471)   |
|                              | 180 (4575)                         | 160 (4064)             | 0           | 10         | 8       | 36000 (16330)  | 31170 (14141)  | 27490 (12471)   |
|                              | 186 (4724)                         | 163 (4140)             | 0           | 10         | 8       | 36000 (16330)  | 31170 (14141)  | 27490 (12471)   |
|                              | 204 (5182)                         | 172 (4369)             | 0           | 10         | 8       | 36000 (16330)  | 31170 (14141)  | 27490 (12471)   |
|                              | 216 (5486)                         | 178 (4521)             | 0           | 10         | 8       | 36000 (16330)  | 31170 (14141)  | 27490 (12471)   |
|                              | 256 (6502)                         | 198 (5029)             | 0           | 10         | 8       | 36000 (16330)  | 31170 (14141)  | 27490 (12471)   |
| Full Free-Lift 2-Stage (FV)  | 102 (2590)                         | 111 (2819)             | 47 (1193)   | 10         | 8       | 36000 (16330)  | 31170 (14141)  | 27490 (12471)   |
|                              | 136 (3454)                         | 128 (3251)             | 55.4 (1407) | 10         | 8       | 36000 (16330)  | 31170 (14141)  | 27490 (12471)   |
| Full Free-Lift 3-Stage (FSV) | 201 (5105)                         | 136 (3454)             | 24 (609)    | 10         | 8       | 36000 (16330)  | 31170 (14141)  | 27490 (12471)   |

| MAST TYPE                    | MAXIMUM FORK HEIGHT (TOP OF FORKS) | OVERALL HEIGHT LOWERED | FREE LIFT   | TILT RANGE |         | LOAD CAPACITY AT   |  |   |
|------------------------------|------------------------------------|------------------------|-------------|------------|---------|--|--|---|
|                              |                                    |                        |             | FWD        | BWD     | 36 IN. (900MM) LOAD CENTER<br>4" x 8" x 72" (STD.) FORKS | 48 IN. (1200MM) LOAD CENTER<br>4" x 10" x 96" (OPT.) FORKS | 60 IN. (1520MM) LOAD CENTER<br>4" x 10" x 120" (OPT.) FORKS |
|                              |                                    |                        |             | in (mm)    | in (mm) | in (mm)  | deg  | deg   |
| <b>THD3600S-36</b>           |                                    |                        |             |            |         |  |  |   |
| Wide Visible (V)             | 144 (3655)                         | 142 (3607)             | 0           | 10         | 8       | 36000 (16330)  | 31170 (14141)  | 27490 (12471)   |
|                              | 162 (4105)                         | 151 (3835)             | 0           | 10         | 8       | 36000 (16330)  | 31170 (14141)  | 27490 (12471)   |
|                              | 180 (4575)                         | 160 (4064)             | 0           | 10         | 8       | 36000 (16330)  | 31170 (14141)  | 27490 (12471)   |
|                              | 186 (4724)                         | 163 (4140)             | 0           | 10         | 8       | 36000 (16330)  | 31170 (14141)  | 27490 (12471)   |
|                              | 204 (5182)                         | 172 (4369)             | 0           | 10         | 8       | 36000 (16330)  | 31170 (14141)  | 27490 (12471)   |
|                              | 216 (5486)                         | 178 (4521)             | 0           | 10         | 8       | 36000 (16330)  | 31170 (14141)  | 27490 (12471)   |
|                              | 256 (6502)                         | 198 (5029)             | 0           | 10         | 8       | 36000 (16330)  | 31170 (14141)  | 27490 (12471)   |
| Full Free-Lift 2-Stage (FV)  | 102 (2590)                         | 111 (2819)             | 47 (1193)   | 10         | 8       | 36000 (16330)  | 31170 (14141)  | 27490 (12471)   |
|                              | 136 (3454)                         | 128 (3251)             | 55.4 (1407) | 10         | 8       | 36000 (16330)  | 31170 (14141)  | 27490 (12471)   |
| Full Free-Lift 3-Stage (FSV) | 201 (5105)                         | 136 (3454)             | 24 (609)    | 10         | 8       | 36000 (16330)  | 31170 (14141)  | 27490 (12471)   |

| MAST TYPE                   | MAXIMUM FORK HEIGHT (TOP OF FORKS) | OVERALL HEIGHT LOWERED | FREE LIFT   | TILT RANGE |         | LOAD CAPACITY AT   |   |
|-----------------------------|------------------------------------|------------------------|-------------|------------|---------|--|---|
|                             |                                    |                        |             | FWD        | BWD     | 48 IN. (1200MM) LOAD CENTER<br>4" x 10" x 96" (STD.) FORKS | 60 IN. (1520MM) LOAD CENTER<br>4.5" x 10" x 120" (OPT.) FORKS |
|                             |                                    |                        |             | in (mm)    | in (mm) | in (mm)  | deg   |
| <b>THD3600-48</b>           |                                    |                        |             |            |         |  |   |
| Wide Visible (V)            | 120 (3048)                         | 138 (3505)             | 0           | 10         | 8       | 36000 (16320)  | 31750 (14405)   |
|                             | 128 (3251)                         | 142 (3607)             | 0           | 10         | 8       | 36000 (16320)  | 31750 (14405)   |
|                             | 144 (3655)                         | 150 (3810)             | 0           | 10         | 8       | 36000 (16320)  | 31750 (14405)   |
|                             | 160 (4064)                         | 158 (4013)             | 0           | 10         | 8       | 36000 (16320)  | 31750 (14405)   |
|                             | 172 (4369)                         | 164 (4165)             | 0           | 10         | 8       | 36000 (16320)  | 31750 (14405)   |
|                             | 180 (4575)                         | 168 (4267)             | 0           | 10         | 8       | 36000 (16320)  | 31750 (14405)   |
|                             | 184 (4673)                         | 170 (4318)             | 0           | 10         | 8       | 36000 (16320)  | 31750 (14405)   |
|                             | 216 (5486)                         | 186 (4724)             | 0           | 10         | 8       | 36000 (16320)  | 31750 (14405)   |
| Full Free-Lift 2-Stage (FV) | 102 (2590)                         | 111 (2819)             | 47 (1193)   | 10         | 8       | 36000 (16320)  | 31750 (14405)   |
|                             | 136 (3454)                         | 128 (3251)             | 55.4 (1407) | 10         | 8       | 36000 (16320)  | 31750 (14405)   |

# MAST SPECIFICATIONS

| MAST TYPE         | MAXIMUM FORK HEIGHT (TOP OF FORKS) | OVERALL HEIGHT LOWERED | FREE LIFT | TILT RANGE |         | LOAD CAPACITY AT   |   |
|-------------------|------------------------------------|------------------------|-----------|------------|---------|--|---|
|                   |                                    |                        |           | FWD        | BWD     | 48 IN. (1200MM) LOAD CENTER<br>4.5" x 10" x 96" (STD.) FORKS | 60 IN. (1520MM) LOAD CENTER<br>4.5" x 10" x 120" (OPT.) FORKS |
|                   |                                    |                        |           | in (mm)    | in (mm) | in (mm)  | deg   |
| <b>THD4000-48</b> |                                    |                        |           |            |         |  |   |
| Wide Visible (V)  | 120 (3048)                         | 138 (3505)             | 0         | 12         | 9       | 40000 (18143)  | 37495 (17007)   |
|                   | 128 (3251)                         | 142 (3607)             | 0         | 12         | 9       | 40000 (18143)  | 37495 (17007)   |
|                   | 144 (3655)                         | 150 (3810)             | 0         | 12         | 9       | 40000 (18143)  | 37495 (17007)   |
|                   | 160 (4064)                         | 158 (4013)             | 0         | 12         | 9       | 40000 (18143)  | 37495 (17007)   |
|                   | 172 (4369)                         | 164 (4165)             | 0         | 12         | 9       | 40000 (18143)  | 37495 (17007)   |
|                   | 180 (4575)                         | 168 (4267)             | 0         | 12         | 9       | 40000 (18143)  | 37495 (17007)   |
|                   | 184 (4673)                         | 170 (4318)             | 0         | 12         | 9       | 40000 (18143)  | 37495 (17007)   |
|                   | 216 (5486)                         | 186 (4724)             | 0         | 12         | 9       | 40000 (18143)  | 37495 (17007)   |

| MAST TYPE         | MAXIMUM FORK HEIGHT (TOP OF FORKS) | OVERALL HEIGHT LOWERED | FREE LIFT | TILT RANGE |         | LOAD CAPACITY AT   |   |
|-------------------|------------------------------------|------------------------|-----------|------------|---------|--|---|
|                   |                                    |                        |           | FWD        | BWD     | 48 IN. (1200MM) LOAD CENTER<br>4.5" x 10" x 96" (STD.) FORKS | 60 IN. (1520MM) LOAD CENTER<br>4.5" x 10" x 120" (OPT.) FORKS |
|                   |                                    |                        |           | in (mm)    | in (mm) | in (mm)  | deg   |
| <b>THD4500-48</b> |                                    |                        |           |            |         |  |   |
| Wide Visible (V)  | 144 (3655)                         | 154 (3911)             | 0         | 12         | 9       | 45000 (20412)  | 40100 (18193)   |
|                   | 156 (3962)                         | 160 (4064)             | 0         | 12         | 9       | 45000 (20412)  | 40100 (18193)   |
|                   | 180 (4572)                         | 172 (4369)             | 0         | 12         | 9       | 45000 (20412)  | 40100 (18193)   |
|                   | 216 (5486)                         | 190 (4826)             | 0         | 12         | 9       | 45000 (20412)  | 40100 (18193)   |
|                   | 324 (8229)                         | 244 (6197)             | 0         | 12         | 9       | 45000 (20412)  | 40100 (18193)   |

| MAST TYPE          | MAXIMUM FORK HEIGHT (TOP OF FORKS) | OVERALL HEIGHT LOWERED | FREE LIFT | TILT RANGE |         | LOAD CAPACITY AT   |   |
|--------------------|------------------------------------|------------------------|-----------|------------|---------|--|---|
|                    |                                    |                        |           | FWD        | BWD     | 48 IN. (1200MM) LOAD CENTER<br>4.5" x 10" x 96" (STD.) FORKS | 60 IN. (1520MM) LOAD CENTER<br>4.5" x 10" x 120" (OPT.) FORKS |
|                    |                                    |                        |           | in (mm)    | in (mm) | in (mm)  | deg   |
| <b>THD4500S-48</b> |                                    |                        |           |            |         |  |   |
| Wide Visible (V)   | 144 (3655)                         | 154 (3911)             | 0         | 12         | 9       | 45000 (20412)  | 40100 (18193)   |
|                    | 156 (3962)                         | 160 (4064)             | 0         | 12         | 9       | 45000 (20412)  | 40100 (18193)   |
|                    | 180 (4572)                         | 172 (4369)             | 0         | 12         | 9       | 45000 (20412)  | 40100 (18193)   |
|                    | 216 (5486)                         | 190 (4826)             | 0         | 12         | 9       | 45000 (20412)  | 40100 (18193)   |
|                    | 324 (8229)                         | 244 (6197)             | 0         | 12         | 9       | 45000 (20412)  | 40100 (18193)   |

| MAST TYPE         | MAXIMUM FORK HEIGHT (TOP OF FORKS) | OVERALL HEIGHT LOWERED | FREE LIFT | TILT RANGE |         | LOAD CAPACITY AT   |   |
|-------------------|------------------------------------|------------------------|-----------|------------|---------|--|---|
|                   |                                    |                        |           | FWD        | BWD     | 48 IN. (1200MM) LOAD CENTER<br>4.5" x 12" x 96" (STD.) FORKS | 60 IN. (1520MM) LOAD CENTER<br>4.5" x 12" x 120" (OPT.) FORKS |
|                   |                                    |                        |           | in (mm)    | in (mm) | in (mm)  | deg   |
| <b>THD5000-48</b> |                                    |                        |           |            |         |  |   |
| Wide Visible (V)  | 144 (3655)                         | 154 (3911)             | 0         | 12         | 9       | 50000 (22680)  | 44565 (20214)   |
|                   | 156 (3962)                         | 160 (4064)             | 0         | 12         | 9       | 50000 (22680)  | 44565 (20214)   |
|                   | 180 (4572)                         | 172 (4369)             | 0         | 12         | 9       | 50000 (22680)  | 44565 (20214)   |
|                   | 216 (5486)                         | 190 (4826)             | 0         | 12         | 9       | 50000 (22680)  | 44565 (20214)   |
|                   | 324 (8229)                         | 244 (6197)             | 0         | 12         | 9       | 50000 (22680)  | 44565 (20214)   |

| MAST TYPE         | MAXIMUM FORK HEIGHT (TOP OF FORKS) | OVERALL HEIGHT LOWERED | FREE LIFT | TILT RANGE |         | LOAD CAPACITY AT   |   |
|-------------------|------------------------------------|------------------------|-----------|------------|---------|--|---|
|                   |                                    |                        |           | FWD        | BWD     | 48 IN. (1200MM) LOAD CENTER<br>4.5" x 12" x 96" (STD.) FORKS | 60 IN. (1520MM) LOAD CENTER<br>5" x 12" x 120" (OPT.) FORKS |
|                   |                                    |                        |           | in (mm)    | in (mm) | in (mm)  | deg   |
| <b>THD5200-48</b> |                                    |                        |           |            |         |  |   |
| Wide Visible (V)  | 144 (3655)                         | 154 (3911)             | 0         | 12         | 9       | 52000 (23587)  | 46340 (21023)   |
|                   | 156 (3962)                         | 160 (4064)             | 0         | 12         | 9       | 52000 (23587)  | 46340 (21023)   |
|                   | 180 (4572)                         | 172 (4369)             | 0         | 12         | 9       | 52000 (23587)  | 46340 (21023)   |
|                   | 216 (5486)                         | 190 (4826)             | 0         | 12         | 9       | 52000 (23587)  | 46340 (21023)   |
|                   | 324 (8229)                         | 244 (6197)             | 0         | 12         | 9       | 52000 (23587)  | 46340 (21023)   |

## MAST SPECIFICATIONS

| MAST TYPE           | MAXIMUM FORK HEIGHT<br>(TOP OF FORKS) | OVERALL HEIGHT<br>LOWERED | FREE LIFT | TILT RANGE |         | LOAD CAPACITY AT   |   |
|---------------------|---------------------------------------|---------------------------|-----------|------------|---------|--|---|
|                     |                                       |                           |           | FWD        | BWD     | 48 IN. (1200MM) LOAD CENTER<br>4.5" x 12" x 96" (STD.) FORKS | 60 IN. (1520MM) LOAD CENTER<br>5" x 12" x 120" (OPT.) FORKS |
|                     |                                       |                           |           | in (mm)    | in (mm) | in (mm)  | deg   |
| <b>THD5500-48</b>   |                                       |                           |           |            |         |  |   |
| Wide Visible<br>(V) | 144 (3655)                            | 154 (3911)                | 0         | 12         | 9       | 55000 (24948)  | 49020 (22236)   |
|                     | 156 (3962)                            | 160 (4064)                | 0         | 12         | 9       | 55000 (24948)  | 49020 (22236)   |
|                     | 180 (4572)                            | 172 (4369)                | 0         | 12         | 9       | 55000 (24948)  | 49020 (22236)   |
|                     | 216 (5486)                            | 190 (4826)                | 0         | 12         | 9       | 55000 (24948)  | 49020 (22236)   |
|                     | 324 (8229)                            | 244 (6197)                | 0         | 12         | 9       | 55000 (24948)  | 49020 (22236)   |

| MAST TYPE           | MAXIMUM FORK HEIGHT<br>(TOP OF FORKS) | OVERALL HEIGHT<br>LOWERED | FREE LIFT | TILT RANGE |         | LOAD CAPACITY AT   |   |
|---------------------|---------------------------------------|---------------------------|-----------|------------|---------|--|---|
|                     |                                       |                           |           | FWD        | BWD     | 48 IN. (1200MM) LOAD CENTER<br>5" x 12" x 96" (STD.) FORKS | 60 IN. (1520MM) LOAD CENTER<br>5" x 12" x 120" (OPT.) FORKS |
|                     |                                       |                           |           | in (mm)    | in (mm) | in (mm)  | deg   |
| <b>THD6000-48</b>   |                                       |                           |           |            |         |  |   |
| Wide Visible<br>(V) | 144 (3655)                            | 154 (3911)                | 0         | 12         | 9       | 60000 (27216)  | 53470 (24257)   |
|                     | 156 (3962)                            | 160 (4064)                | 0         | 12         | 9       | 60000 (27216)  | 53470 (24257)   |
|                     | 180 (4572)                            | 172 (4369)                | 0         | 12         | 9       | 60000 (27216)  | 53470 (24257)   |
|                     | 216 (5486)                            | 190 (4826)                | 0         | 12         | 9       | 60000 (27216)  | 53470 (24257)   |
|                     | 324 (8229)                            | 244 (6197)                | 0         | 12         | 9       | 60000 (27216)  | 53470 (24257)   |

| MAST TYPE           | MAXIMUM FORK HEIGHT<br>(TOP OF FORKS) | OVERALL HEIGHT<br>LOWERED | FREE LIFT | TILT RANGE |         | LOAD CAPACITY AT   |   |
|---------------------|---------------------------------------|---------------------------|-----------|------------|---------|--|---|
|                     |                                       |                           |           | FWD        | BWD     | 48 IN. (1200MM) LOAD CENTER<br>5" x 12" x 96" (STD.) FORKS | 60 IN. (1520MM) LOAD CENTER<br>5.5" x 12" x 120" (OPT.) FORKS |
|                     |                                       |                           |           | in (mm)    | in (mm) | in (mm)  | deg   |
| <b>THD6500-48</b>   |                                       |                           |           |            |         |  |   |
| Wide Visible<br>(V) | 144 (3655)                            | 154 (3911)                | 0         | 12         | 9       | 65000 (29483)  | 57930 (26279)   |
|                     | 156 (3962)                            | 160 (4064)                | 0         | 12         | 9       | 65000 (29483)  | 57930 (26279)   |
|                     | 180 (4572)                            | 172 (4369)                | 0         | 12         | 9       | 65000 (29483)  | 57930 (26279)   |
|                     | 216 (5486)                            | 190 (4826)                | 0         | 12         | 9       | 65000 (29483)  | 57930 (26279)   |
|                     | 324 (8229)                            | 244 (6197)                | 0         | 12         | 9       | 65000 (29483)  | 57930 (26279)   |

| MAST TYPE           | MAXIMUM FORK HEIGHT<br>(TOP OF FORKS) | OVERALL HEIGHT<br>LOWERED | FREE LIFT | TILT RANGE |         | LOAD CAPACITY AT   |   |
|---------------------|---------------------------------------|---------------------------|-----------|------------|---------|--|---|
|                     |                                       |                           |           | FWD        | BWD     | 48 IN. (1200MM) LOAD CENTER<br>5.5" x 12" x 96" (STD.) FORKS | 60 IN. (1520MM) LOAD CENTER<br>5.5" x 12" x 120" (OPT.) FORKS |
|                     |                                       |                           |           | in (mm)    | in (mm) | in (mm)  | deg   |
| <b>THD7000-48</b>   |                                       |                           |           |            |         |  |   |
| Wide Visible<br>(V) | 144 (3655)                            | 164 (4165)                | 0         | 12         | 9       | 70000 (31751)  | 62390 (28300)   |
|                     | 184 (4673)                            | 184 (4673)                | 0         | 12         | 9       | 70000 (31751)  | 62390 (28300)   |
|                     | 216 (5486)                            | 200 (5080)                | 0         | 12         | 9       | 70000 (31751)  | 62390 (28300)   |

| MAST TYPE           | MAXIMUM FORK HEIGHT<br>(TOP OF FORKS) | OVERALL HEIGHT<br>LOWERED | FREE LIFT | TILT RANGE |         | LOAD CAPACITY AT   |   |
|---------------------|---------------------------------------|---------------------------|-----------|------------|---------|--|---|
|                     |                                       |                           |           | FWD        | BWD     | 48 IN. (1200MM) LOAD CENTER<br>5.5" x 12" x 96" (STD.) FORKS | 60 IN. (1520MM) LOAD CENTER<br>5.5" x 12" x 120" (OPT.) FORKS |
|                     |                                       |                           |           | in (mm)    | in (mm) | in (mm)  | deg   |
| <b>THD7200-48</b>   |                                       |                           |           |            |         |  |   |
| Wide Visible<br>(V) | 144 (3655)                            | 164 (4165)                | 0         | 12         | 9       | 72000 (32659)  | 64174 (29108)   |
|                     | 184 (4673)                            | 184 (4673)                | 0         | 12         | 9       | 72000 (32659)  | 64174 (29108)   |
|                     | 216 (5486)                            | 200 (5080)                | 0         | 12         | 9       | 72000 (32659)  | 64174 (29108)   |



OTA

TOYOTA

12.00-20

Some product features described herein are optional. Please consult your dealer for specifications.  
Details of specifications and equipment are based on information available at time of printing and may change without notice.



**INDUSTRIAL EQUIPMENT**

**REACH NEW HEIGHTS**

00722THDSS

©2015 Toyota Material Handling, U.S.A., Inc.