

CENTER RIDER STACKER



PEAK VERSATILITY

- ▶ AC Drive Motor
- ▶ 2,500 lb. Capacity
- ▶ 72" Lift Height
- ▶ Power Steering
- ▶ Programmable Fork Height
- ▶ Lithium-Ion Compatible



CR1-RS25



ALL-AROUND WORKHORSE

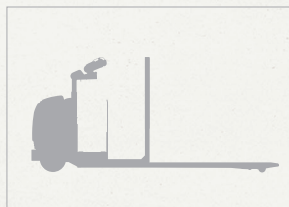
Low-level picking. Dock work. Narrow-aisle stacking. The Center Rider Stacker handles all of these and more. The versatile design enables it to perform the work of a center rider, order picker, and counterbalanced forklift – all in one. This delivers the ultimate utility and value in operations where it can replace some or all existing equipment.

A mast with lift heights up to 72” enables ergonomic order picking and smooth, efficient pallet retrieval. The center rider chassis allows it to operate in narrow aisles and on trailers while also excelling at long runs, staging, and cross-dock work.

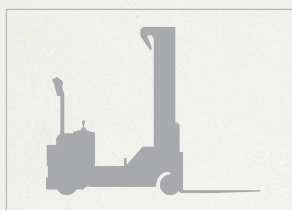
3-IN-1 SOLUTION

WHY CHOOSE A CENTER RIDER STACKER?

- ▶ LOWER LABOR COSTS
- ▶ LOWER OPERATIONAL COSTS
- ▶ LOWER EQUIPMENT COSTS
- ▶ INCREASED PRODUCTIVITY



TRAVELS LIKE A PALLET TRUCK



HANDLES REPLENISHMENT/
RETRIEVAL LIKE A
COUNTERBALANCED
STACKER



MOVES LOADS LIKE A PICKER



PRODUCTIVITY POWERHOUSE

Keeping up with your operational demands requires speed, reliability, and efficiency. The Center Rider Stacker excels at all three, so you can stay on the move.

CENTER RIDER STACKER ADVANTAGES

- ▶ **AC DRIVE MOTOR** provides efficient, low-maintenance operation and powerful performance
- ▶ **REGENERATIVE PLUGGING** returns energy to the battery for increased efficiency and runtime
- ▶ **LIFT LIMIT SWITCH** allows programming of a specific lift height, so the forks stop at the same height every time
- ▶ **PROGRAMMABLE FORK HEIGHT TRAVEL SPEED** enables a lift height to be set that would reduce travel speed when exceeded
- ▶ **JOG BUTTONS OPTION** grants efficient picking capabilities by allowing the operator to move the forklift while walking alongside
- ▶ **LITHIUM-ION BATTERY OPTIONS** require less maintenance and allow for opportunity charging to increase uptime



UP TO **2,500** LB.
CAPACITY

GET IN YOUR COMFORT ZONE

The Center Rider Stackers keep operators comfortable and productive all shift long with standard amenities like power steering, a cushioned kneepad and backrest, and a soft-cushioned floor mat.

The ergonomic multifunction control handle and optional additional controls integrated into the backrest simplify operation whether you are traveling in either direction. Optional accessory bars, storage totes, and a USB port let you customize the stacker to meet each operator's needs.



TOYOTA MOVES WITH YOU



A NAME YOU CAN TRUST

Our material handling equipment carries something no others can: The Toyota name. As one of the most recognized and respected global brands, the Toyota name is synonymous with quality, durability, and value. It also provides peace of mind that few companies of any kind can match.

Every Toyota Forklift is built using the world-renowned Toyota Production System (TPS), which features Just-in-Time parts delivery and quality checks at every step of the manufacturing process.

It's all part of the Toyota philosophy of "kaizen," the dedication to continuous improvement. Instituted by our founder more than 80 years ago, it's a principle that still guides us today. As long as our forklifts carry the Toyota name, we'll continue striving to improve processes and quality.

THE TOYOTA 360 SUPPORT PROMISE

In addition to moving more pallets more quickly through your facility, you can count on Toyota's dedication to quality and world-renown manufacturing methods to deliver unprecedented uptime and lower maintenance costs. Toyota 360 Support comes standard with every Toyota Order Picker, meaning you benefit from an industry-leading two-year parts warranty, the support of over 65 dealerships, 3500+ Toyota Certified Technicians and guaranteed 4-hour emergency response time.

60⁺

DEALERSHIPS

3500⁺

TOYOTA CERTIFIED TECHNICIANS

4-HOUR

GUARANTEED

EMERGENCY RESPONSE TIME



CENTER RIDER STACKER

CAPACITY
2500 LBS.

FORK SIZE
42 IN.

OVERALL FORK WIDTH
22 - 27.5 IN.

INDUSTRIES



STANDARD FEATURES

PERFORMANCE

- 24 Volt Electrical System
- AC Drive Motor
- Regenerative Plugging
- Battery Discharge Indicator with Lift Interrupt
- Hour Meter Indicator
- Electric Disc Brake
- Dual Lift Cylinders
- Power Steering
- 72" Lift Height
- UL Type "E" Construction

BODY/EXTERIOR DESIGN

- Special Bumper
- Poly Load Wheels
- Natural Rubber Drive Tire
- 40-inch Load Backrest
- Emergency Power Disconnect
- Battery Compartment
 - 31.68 in. wide
 - 13.4 in. length
 - 31.0 in. height

ERGONOMICS

- Multifunction control handle with ergonomically angled handgrips & wrap-around hand guard
- Dual thumbwheels with twist grips for directional control & travel speed
- Intuitively positioned lift/lower buttons
- High-speed interlock button
- Bubble-cushioned operator floor mat, padded backrest & knee pad
- Walk-through operator compartment
- Low platform step height
- Low effort power steering handle with adjustable height

OPERABILITY & ERGONOMICS

- Cushioned Knee Pad
- Cushioned Operator Backrest with Controls
- Lift Limit
- Directional Thumb Wheels
- Power Steer Control Handle with Ergonomically Angled Hand Grips
- Soft-cushioned Floor Mat
- Programmable Fork Height Travel Speed Limit
- Electronic Travel Alarm

OPTIONAL EQUIPMENT

BODY

- Single-Tier Accessory Bar
 - Rear Mounted Accessory Bar
 - Operator Cooling Fan
 - LED Work Light
 - USB Port
 - Stretch Wrap Holder
 - Blue Spot Light
 - Travel Alarm
 - Travel Alarm (forward only)
 - Travel Alarm (reverse only)
 - Electronic PIN Code Access Pad
 - Keyless On/Off Switch
 - Operator Compartment Sensor System
 - 10-Amp Power Hook-up, On-Board Terminal
 - Static Strap
 - Magnetic, Battery-Mounted Storage Tray
 - Large Magnetic, Battery-Mounted Storage Tray
 - Greasable Steer Bearing
-

BATTERY ACCESSORIES

- Battery Connector, Left Side, SB-175, Blue
 - Battery Connector, Left Side, SB-175, Yellow
 - Battery Connector, SB-175, Red
 - Battery Connector, Option Color SB-350, Red
 - Battery Connector, SBX-175, Red
 - Battery Connector, SBX-175, Gray
 - Battery Connector, SBX-350, Red
 - Battery Connector, SBX-350, Gray
 - Battery Gate Interlock
 - Battery Spacers (front to back)
 - Toyota LIB Compatibility
-

LOAD HANDLING

- 36" Load Backrest Extension
 - Lift/Limit and Horn on LBR
 - Jog Only Buttons for walk-beside order picking
-

TIRES

- Soft Poly Drive Tire
 - Soft Center Grooved Poly Drive Tire
 - Smoothy Drive Tire
-

SPECIAL MODELS

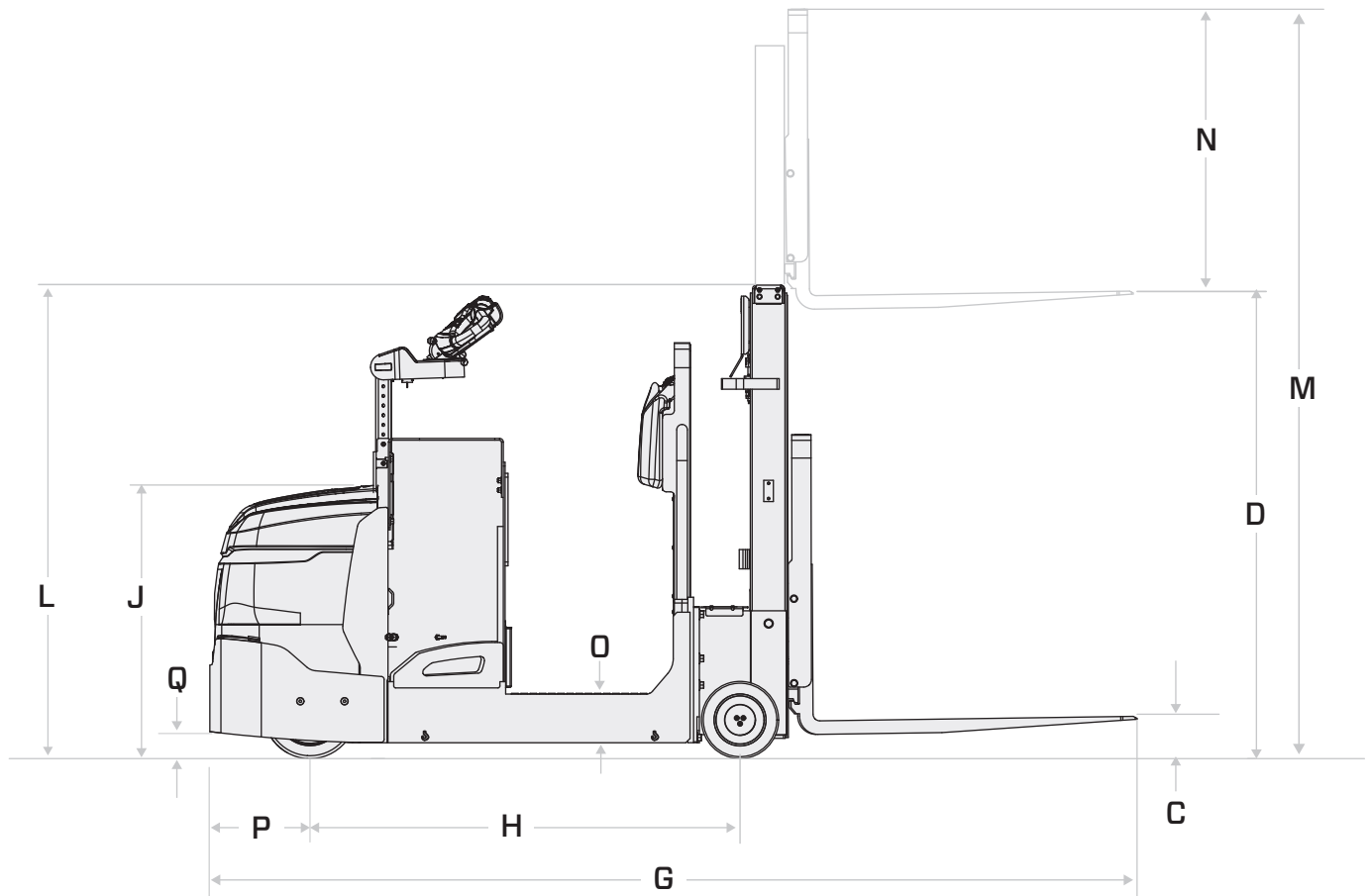
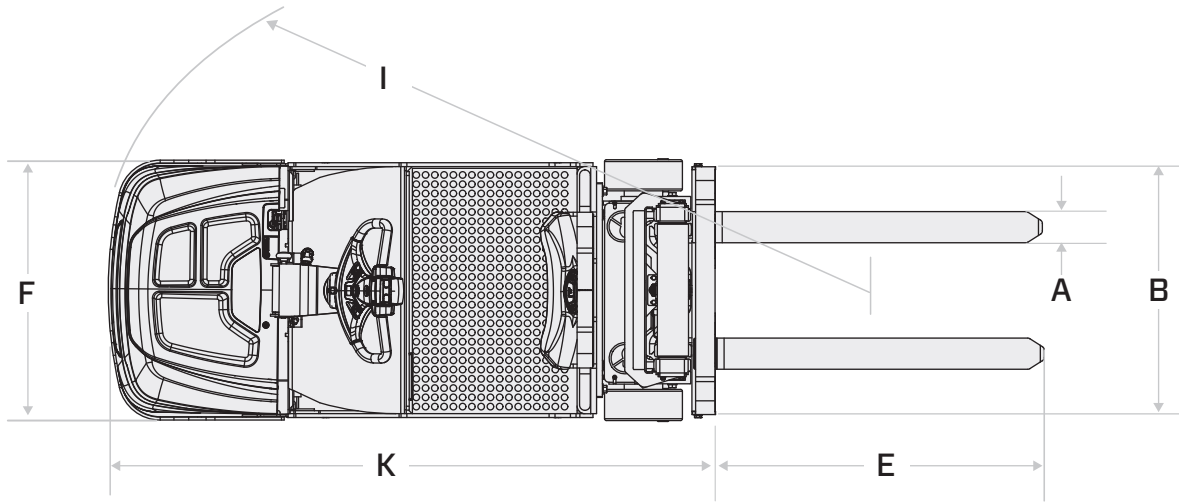
- Special Paint Color, Tractor and Forks
- Cold Storage Conditioning
- Bilingual Decals
- Export Preparation Packaging

TRUCK SPECIFICATIONS

MODEL NUMBER

GENERAL DATA				CRI-RS25
Load Capacity		lb (kg)		2500 (1134)
Power Type				Battery
Operator Position				Center-Controlled Rider
Tire Type	Drive / Caster / Load		Rubber / Polyurethane / Polyurethane	
Wheels (x = driven)	Front / Rear		1 / 2	
EXTERIOR DIMENSIONS				CRI-RS25
A	Fork Width	in (mm)		4 (102)
B	Adjustable Fork Width	in (mm)		10.0 - 31.0 (254 - 787)
C	Fork Height	Lowered	in (mm)	2.9 (74)
D		Raised	in (mm)	72 (1829)
E	Fork Length	in (mm)		42 (1067)
F	Overall Width	in (mm)		33.25 (845)
G	Overall Length	in (mm)		121 (3073)
H	Wheelbase	in (mm)		55.7 (1415)
I	Turning Radius	in (mm)		69.8 (1773)
J	Power Unit Height	in (mm)		38 (965)
K	Overall Length (Bumper to Load Backrest)	in (mm)		33.25 (845)
L	Mast Lowered Height	in (mm)		61 (1549)
M	Mast Extended Height w/Load Backrest	in (mm)		113 (2870)
N	Load Backrest Height	in (mm)		41 (1041)
O	Operator's Platform Height	in (mm)		8.3 (211)
P	Distance from Bumper to Center of Drive Tire	in (mm)		13.3 (338)
Q	Bumper Underclearance	in (mm)		2.1 (53)
Total Weight Without Battery		lb (kg)		4300 (1950)
PERFORMANCE DATA				CRI-RS25
Speeds	Travel	Tractor First	mph (km/h)	6.0 (9.6)
		Forks First	mph (km/h)	3.8 (6.1)
	Forks Lifting	Full Load	fpm (mm/sec)	22 (0.11)
		No Load	fpm (mm/sec)	41 (0.21)
	Forks - Lowering	Full Load	fpm (mm/sec)	48 (0.24)
		No Load	fpm (mm/sec)	44 (0.22)
Gradeability	Full Load		%	8
	No Load		%	8
TIRES				CRI-RS25
Tires	Size (dia. x width)	Drive	in (mm)	12 x 4.75 (305 x 121)
		Load	in (mm)	10 x 4 (254 x 101)
POWER SYSTEM				CRI-RS25
Battery	Voltage/ Capacity	Maximum	V / AH	24 / 750
	Weight	Maximum	lb (kg)	1500 (680)
		Minimum	lb (kg)	1300 (590)
Battery Compartment	Width		in (mm)	13.4 (340)
	Length		in (mm)	31.7 (805)
	Height		in (mm)	31 (787)
Electric Motors	Drive	(60 min)	hp (kw)	4.4(3.3)
Brake				Electric Disc Brake

EXTERIOR DIMENSIONS





WORLD-CLASS MATERIAL HANDLING SOLUTIONS

PARTNER WITH TOYOTA, AND LET US HELP DEVELOP THE RIGHT SOLUTION FOR YOU.

With access to the world's industry-leading lineup of material handling products, Toyota dealers are uniquely positioned to help you solve your wide-ranging challenges. Built for every application, Toyota can provide the most complete set of solutions for material handling, automation, energy, advanced logistics, and warehouse optimization.

Toyota is here to help optimize your business for maximum efficiency. Utilizing Toyota Lean Management principles, Toyota dealers can provide insights and develop appropriate plans to tackle your specific operational needs. This unique approach to optimization and elimination of waste can provide you with significant competitive advantages and a sustainable lean culture for lasting process improvement.

Visit us at: ToyotaForklift.com for more information.

