

Bastian Solutions CB18 AGF – smart, efficient manufacturing and distribution material handling – no operators needed



CB18 AGF with Natural Features Navigation

EXECUTIVE SUMMARY

Bastian Solutions' CB18 AGF is a flexible, extensible automation solution that can improve material handling processes in both factories and warehouses. This innovative vehicle addresses many challenges companies face such as labor availability, inventory tracking, operational visibility, peak seasons, safety concerns and space limitations.

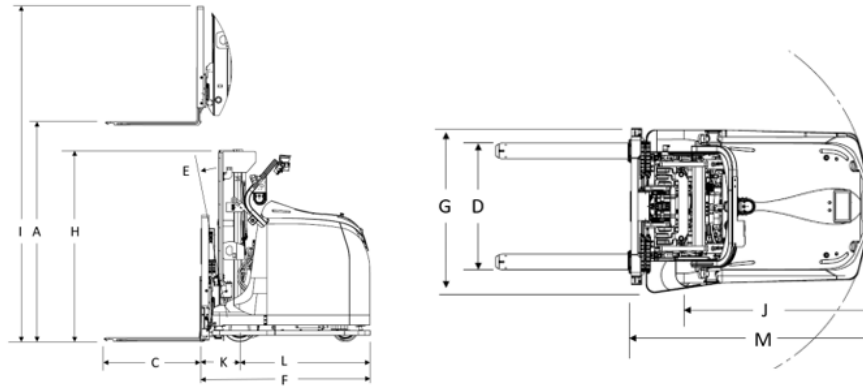
Equipped with options not seen in other AGFs, the CB18 can not only transform floor operations but can interface with other material handling equipment to increase the productivity of the entire automated system.



OVERVIEW

- Weight capacity up to 1800kg (4000 lbs.)
- Maximum travel speed with forks trailing 3m/s (6.7 mph)
- Category 3 safety system with dynamic payload safety scanning
- Dual traction wheels improve braking and navigation
- Natural feature navigation via LiDAR with 360° field of view
- Reach height of 4,470mm (14 ft. 7 in.)
- Standard and custom forks for special applications

CB18 Specifications



General Data			CB18	
Capacity		kg (lbs.)	1800 (4000)	
Speed	Max. Travel Loaded - Forks Trailing	m/s (mph)	3 (6.7)	
	Max. Travel Unloaded - Forks Trailing	m/s (mph)	3 (6.7)	
	Max. Travel Loaded - Forks Leading	m/s (mph)	2 (4.5)	
	Max. Travel Unloaded - Forks Leading	m/s (mph)	2 (4.5)	
Battery			48 V lithium-ion	
Guidance Method			Natural feature via 2D LiDAR	
Travel Instruction Method			Feature map with virtual path planning & devices	
Drive Type			AC Motors	
Steering			Overly constrained tricycle with dual traction wheels	
Brakes			Electro-magnetic (failsafe)	
Safety			Category 3 safety	
			Lighting - status indication, turn signals, warning spotlights	
			5 emergency stop pushbuttons (4 on vehicle, 1 on pendant)	
			Low deflection three stage rigid mast	
Weight		kg (lbs.)	5248 (11570)	
Dimensions	A	Max Fork Height	mm (in)	4470 (176)
	B	Free-Lift	mm (in)	1577 (62.1)
	C	Fork Size (LxW)	mm (in)	1066.8 to 1219.2 (42 to 48) x 122 (4.8)
	D	Fork Spread Max/Min	mm (in)	993.5 (39.1) / 152.4 (6)
	E	Tilt Range (forward/backward)	degrees	+/- 5
	F	Length to Fork Face	mm (in)	1867 (73.5)
	G	Overall Width	mm (in)	1277.6 (50.3)
	H	Mast Lowered Height	mm (in)	2104.6 (82.9)
	I	Mast Extended Height	mm (in)	5842 (230)
	J	Turning Radius	mm (in)	1469.4 (57.85)
	K	Load Distance	mm (in)	434.3 (17.1)
	L	Rear Overhang	mm (in)	1432.6 (56.4)
	M	Basic Right-Angle Stacking Aisle	mm (in)	1901.2 (74.85)