

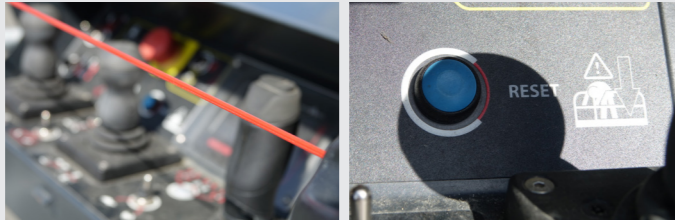
## Making operators and their environment safe

Manitou is committed to design machines that provide optimum safety for users.

- **Pedal presence in basket**  
Activation of the pedal presence is required to make any movement on the machine.
- **Basket overload and tilt sensor**  
Audible and visual indicators are provided if the basket is overloaded or in case of the slope is too important.
- **Double rail and meshed floor**  
They guarantee of operator protection and full visibility of the working environment.
- **Electric emergency pump**  
Enables efficient and rapid assistance.
- **Peace of mind**  
The battery is empty and you need to collect the machine from the site? Activate the safety mat and you can proceed to load the platform.

### Have you thought about SPS? (Secondary Protection System)

The SPS is a safety solution for the operator. It is activated in the event of a crush or discomfort of the operator. Its activation is multi-directional to guarantee optimal safety. Finally, the thickness of the cable allows the operator to have full visibility of the controls.



Access the Getting Started videos using the QR Code on the machine. Reduce Risks helps you to use your machines safely



“What is important as a fleet manager is the turnover rate. That's why I need a machine that is easy to maintain and that allows me to anticipate maintenance! All of this while meeting our safety regulations and being versatile enough to be rented anywhere.

Your dealer

**MANITOU**  
HANDLING YOUR WORLD

This publication describes the versions and configuration possibilities of Manitou products which may differ in equipment. The equipment shown in this brochure may be standard, optional or not available depending on the version. Manitou reserves the right to change the specifications described and shown at any time without notice. The specifications shown are not binding on the manufacturer. For more details, contact your Manitou dealer. Non contractual document. The logos and visuals of the company are the property of Manitou and may not be used without permission. All rights reserved. The photos and diagrams contained in this brochure are provided for reference purposes only. Manitou BF SA - Public limited company with a Board of Directors - Share capital: 39,547,824 euros - 857 802 508 RCS Nantes ©Manitou ©Adobe stock

RANGE  
**ATJE**  
100 % electric



### Significant reduction in your operating costs

Choosing an electric aerial work platform is a promise to reduce the overhead costs of your investment. A powerful, robust and cost-optimised machine.



- **Low maintenance**  
Reduced maintenance costs, thanks in particular to the reduction in the number of components.
- **Basket durability**  
With its galvanised finish, removable floor and protected control panel, you can rely on a basket designed to last.
- **Easy access to components**  
Quick access to hydraulic cables, hoses as well as the batteries thanks to fork pockets to easily handling batteries.
- **Reduced consumption**  
Its 100% electric power reduce your energy costs thanks to the low price of electricity compared to the price of diesel.
- **Optimisation of resale value**  
On resale, benefit from an unbeatable selling price thanks to a lower cumulative number of hours than a thermic model. Hour displayed = Hour worked.
- **Easy transport**  
One-point slinging without a spreader bar for safe transport.

### How can I optimise the life of my battery\*?

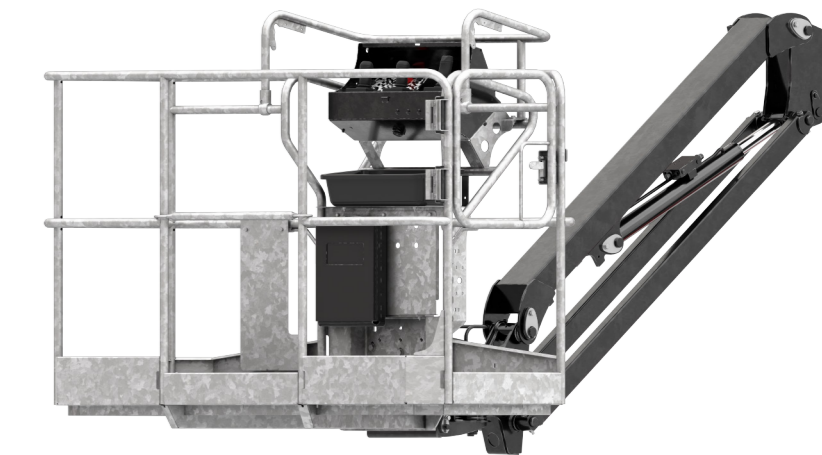
There are a few good practice rules to know in order to optimise the life of the batteries:

- Never discharge your batteries completely
  - Avoid partial charges
  - Perform maintenance charges
  - Check the water level regularly

\* Visualise your battery data thanks to CAN feedback

### Driving an ATJe has never been easier

- **Ergonomic and harmonised controls**  
Ergonomic and standardised basket and lower control station for the entire ATJ range.
- **Intuitive human/machine interface**  
A large colour screen displays information via an alert system. The operator knows the remaining autonomy of the machine (in hours).
- **Easy to charge**  
The integrated charger located on the turret allows you to easily recharge your machine using a standard 110V plug.



### Connected solutions

Your aerial platform has something special: thanks to connectivity, you can follow its position in real time and optimise the operational follow-up of your equipment.

- **View in real time**  
Manage your fleet remotely and benefit from a wealth of information about your machines accessible on your PC, tablet or smartphone.
- **Anticipate maintenance**  
Save time : share your alerts directly with the technician to anticipate parts and reduce response time.
- **Analyse performance**  
View the performance of your machines in a graphical format that is easy to follow and interpret.

Protect your equipment and control access As an option you can manage driving authorisations and control operator access to your machines to ensure their safety and that of the workplace.



Take a look and find out more information on [manitou.com](http://manitou.com)

**MANITOU**  
HANDLING YOUR WORLD



### Take a deep breath

Manitou introduces its Oxygen label. Introduces all Manitou solutions aimed at reducing environmental impact. It responds to new requests for «zero emission» projects, to support companies in internal policies aimed at reducing their carbon impact. Or even, to offer machines for applications in quiet areas.



### 100% Manitou DNA

Investing in a Manitou electric aerial work platform means enjoying the benefits of electric power and having a machine that is designed to work in rough conditions.

### 100% versatile

Technology and tyres fully adapted for indoor use. 4-wheel drive, oscillating axle and high ground clearance to adapt perfectly to the most difficult conditions.

### Continuous rotation of the turret

### 4 simultaneous movements

### 2 maintenance-free asynchronous electric motors

### 4 wheel drive



**Cost efficiency**  
The galvanization of our baskets allows a better durability in time and to avoid repainting (TCO). The removable floor allows for quick replacement in case of damage.

**Comfort of use**  
Turret rotation is via a hydraulic motor whose speed varies according to the extension of the telescope.



Folded dimensions (LxWxH) from :  
**21'4" x 7'7" x 7'10"**

from : **13,713 lbs**

**One-point slinging**  
Without a spreader bar for easy lifting of the machine.

**UNEQUAL GROUND CLEARANCE**



**Simplicity**  
The ATJe is a range with an architecture of unparalleled simplicity and reliability on the market. Equipped with only two electric motors well protected inside the machine; guaranteeing low maintenance costs.

Take advantage of a basket console fitted with a display to give you a range of useful information for your working day.

The large screen at the lower control box offers additional information to the top control box for operator and allows technicians to carry out a quick diagnosis, consult the machine memory and many other functions.



### Did you know?

Using a code, you can modify certain options to adapt the machine to the needs of your customers (flashing light on contact, flashing light on movement, all movement beep...).

**Sustainability**  
**The market reference**  
Our customers praise the reinforced design and durability of our lifting solutions. Regardless of the product chosen, the articulation heights and working outreach set the standard in their category.

**Super impact resistant cover**

**Maximum Tilt 4°**  
Longitudinal and lateral



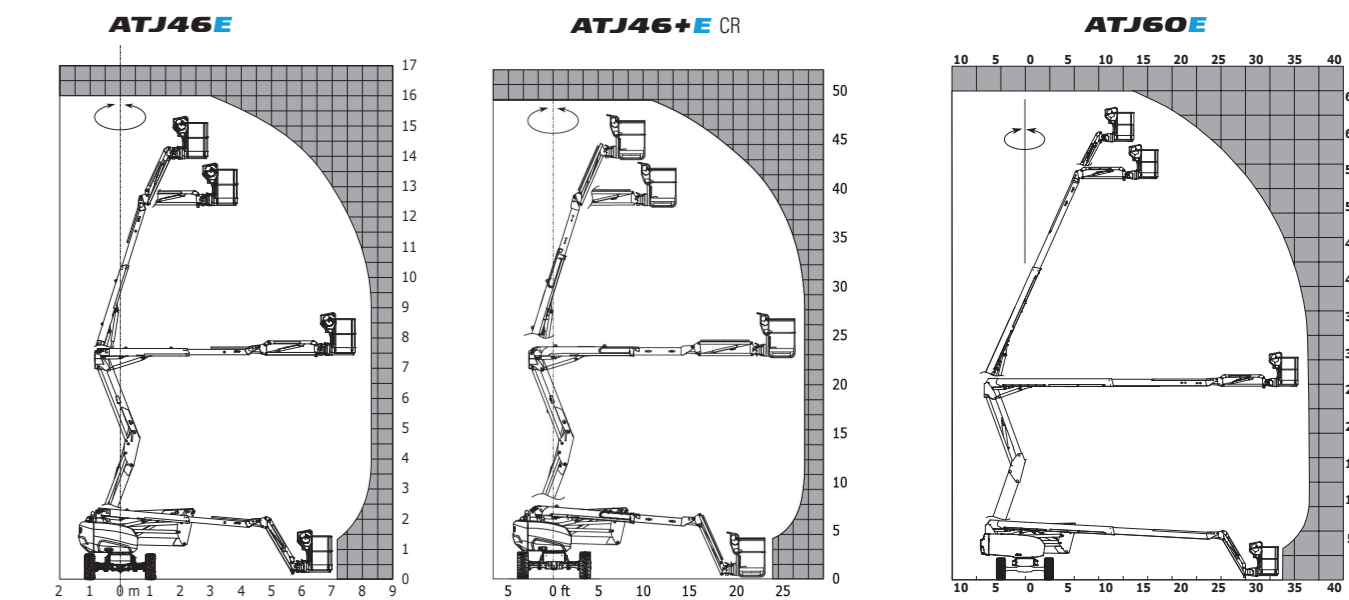
### Did you say versatility?

OxygenbyManitou is the new label for eco-responsible machines. Concerned about CSR criteria, the Manitou brand has a solution adapted to indoor and outdoor work. Discover without further delay our 100% electric articulated boom lift ATJ-E range with a working height from 52' to 65'7".



	ATJ46E	ATJ46+E CR	ATJ60E 2WS	ATJ60E 4WS CR
Basket capacity (lbs)	551	900	500	551
Working height (ft)	52	52'8"	65'7"	
Platform height (ft)	46	46'8"	59'1"	
Working offset (ft)	26'7"	27'4"	38'	
Overhang (ft)	24'3"	24'11"	25'11"	
Platform dimensions (Lxwxh) (ft)	21'4" x 7'7" x 7'10"	22'7" x 7'10" x 8'2"	27'4" x 7'7" x 8'1"	27'4" x 7'10" x 8'1"
Dimensions stowed (Lxh) (ft)	14'1" x 9'1"	15'5" x 9'8"	19'11" x 8'8" / 8'11"	19'11" x 9'3"
Basket dimensions (Lxw) (ft)	5'11" x 2'7"	7'7" x 2'11"	5'11" x 2'6"	6'11" x 2'7"
Battery power (V / Ah)	48 / 480		48 / 460	
On-board charger (V / Ah)	48 / 60			
Tyres type	Foam filled		Cured-on non marking	Foam filled
Total weight (lbs)	13,713	17,174	15,653	16,601

- Number of operators
- Gradeability
- Turret rotation
- Driving & Steering wheels



### A wide range of options

To access all the options, ask your Manitou partner for advice.



**On-board centralized filling**  
Benefit from an electric pump and an integrated tank for quick water level recovery.

**Non-marking Foam Inflated Tyres**  
No tire marks on delicate surfaces when turning the wheels.

**110V Canadian plug**  
Allow the use of electrical equipment in the basket and/or the recharging of batteries for portable devices.

**Biodegradable hydraulic oil**  
Contributes to the protection and preservation of our environment.

### Why lead batteries?

They have several advantages. Its low replacement cost compared to other types of battery technology and finally, its recyclability rate (98%) completes this product which is intended to be non-polluting!

Our lead traction batteries have a lifetime of 1500 cycles\*.

\* 1 cycle = 1 charge

### Does the number of electric motors affect the performance of the machine?

The number of electric motors is not related to the performance of the machine. More components often mean more maintenance and associated costs! To reduce these costs, we have designed a very simple machine with reliable technology. Only one motor in the chassis for translation movements and one motor in the turret for elevation movements.